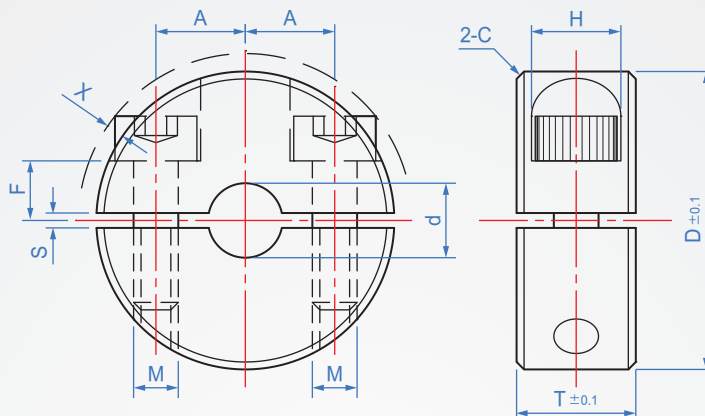


Separate type-Universal  
**SC482**

Material	Finish	Screw accessory
S45C	Dye black	SCM435
	Electroless nickel	SUS304
SUS303	-	SUS304



**How to order**

SC482 - ① - ② - ③ -

TYPE d D T

Material chosen  
 S45C+Black oxide.....   
 S45C+Electroless nickel.  TN  
 SUS303.....  SUS

Copyright © CHENA INDUSTRIAL CO., LTD ALL Rights Reserved.

unit :mm											
d	Tolerance	D	T	A	C	F	H	S	Screw length M	Protruding screw head X≐	
5	+0.03 +0.01	20	8	6	0.5	4	6	1	M3-10	1.21	
		22	10				7.5			M4-10	1.42
6	+0.03 +0.01	20	8	8	0.5	4	6	1	M3-10	1.21	
		22	10				7.5			M4-10	1.42
8	+0.03 +0.01	25	8	9	0.5	5	6	1.5	M3-12	0.90	
		25	10				7.5			M4-12	2.11
		30	12				9			M5-15	1.60
		32	15				11			M6-15	1.81
10	+0.03 +0.01	28	8	10	0.5	6	6	1.5	M3-14	0.21	
		30	10				7.5			M4-14	0.40
		30	12				9			M5-15	1.58
12	+0.03 +0.01	35	15	11	0.5	6	11	1.5	M6-16	1.71	
		30	8				6			M3-14	0.05
		30	10				7.5			M4-14	1.22
		30	12				9			M5-15	2.41
15	+0.05 +0.01	35	15	12	1.0	7	11	2	M6-18	2.23	
		40	15				11			M5-16	2.12
		35	10				7.5			M4-14	0.95
16	+0.05 +0.01	35	12	12	1.0	6	9	3	M5-16	2.12	
		40	15				9			M6-18	2.20
17	+0.05 +0.01	40	15	13	1.0	7	11	3	M6-18	2.80	
18		45	15				11			1.90	
20	+0.05 +0.01	40	10	14	1.0	7	7.5	3	M4-16	0.67	
		40	12				9			M5-16	1.84
		45	15				11			M6-20	1.91
25	+0.05 +0.01	45	12	17	1.0	7	9	3	M5-16	1.90	
		50	15				11			M6-25	3.02
30	+0.05 +0.01	55	15	20	1.0	10	11	3	M6-25	2.25	
35		60	15				12			3.29	
40	+0.05 +0.01	70	18	26	1.0	13	14	3	M8-30	3.69	
45		75	18				14			3.42	
50	+0.05 +0.01	85	22	32	1.0	16	18	3	M10-35	5.21	