

MX Flange

MX235

General

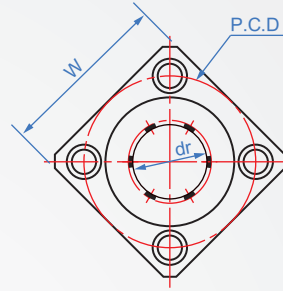
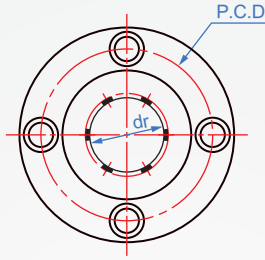


Outer tube	Steel ball	Holder	Ambient temperature	Annex
SUJ2 HRC58~	SUJ2	Resin	-20~80°C	Two side dust cover

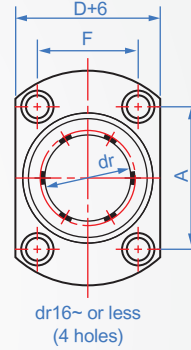
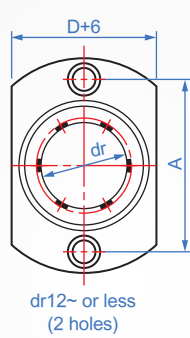
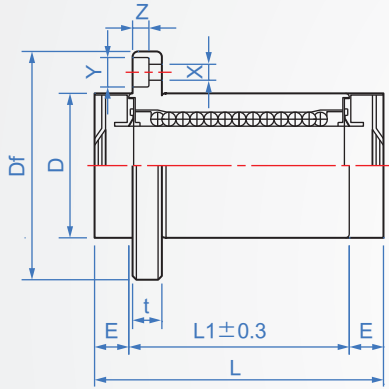
characteristic : With lubricating resin, it has auxiliary maintenance function during exercise.

F : Round flange

K : Square flange



H : Two-sided flange



How to order

MX235 - 10 -

TYPE dr

Choose shape

Round flange..... F

Square flange..... K

Two-sided flange... H

dr	tolerance	Main dimensions						Flange						Eccentric max.	Straight angle	Basic load rating			weight(g)			
		D	tolerance	L	L1	E	A	Df	F	P.C.D	t	W	X			Y	Z	Move C	Still Co	Round	Square	Two sides
10		19		39	29	5	29	40		29	25					370	540	70	55	65		
12	+0 -0.009	21	+0 -0.016	41	30	5.5	32	42		32	6	27	4.5	7.5	4.1	0.012	0.012	500	740	75	60	70
16		28		49	37	6	31	48	22	38	34					770	1100	120	110	110		
20		32		56	42	7	36	54	24	43	38					880	1300	190	150	170		
25	+0 -0.01	40	+0 -0.019	77	59	9	40	62	32	51	46		5.5	9	5.1	0.015	0.015	960	1500	350	310	330
30		45		84	64	10	49	74	35	60	51							1500	2700	485	390	410
35		52		92	70	11	55	82	38	67	60		6.6	11	6.1			1600	3100	665	580	600
40	+0 -0.012	60	+0 -0.022	104	80	12	64	96	45	78	70					0.02	0.02	2100	4000	1050	900	940
50		80		128	100	14	80	116	56	98	86		9	14	8.1			3800	7900	2250	2000	2050

G6 tolerance guide is recommended.

1N≒0.12kgf

Copyright © CHENA INDUSTRIAL CO.,LTD ALL RIGHTS RESERVED.