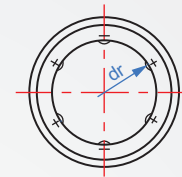
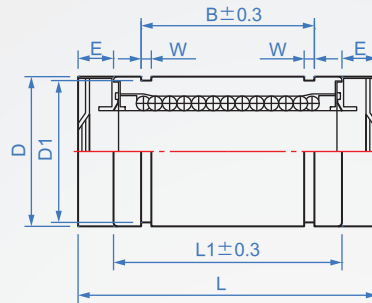


MX  
**MX233**  
General



Outer tube	Steel ball	Holder	Ambient temperature	Annex
SUJ2 HRC58~	SUJ2	Resin	-20~80°C	Two side dust cover

characteristic : With lubricating resin, it has auxiliary maintenance function during exercise.

How to order

MX233 - 10  
TYPE dr

Main size and accuracy														Basic load rating		weight
dr	Tolerance	D	Tolerance	D1	L	L1	E	B	W	Number of steel ball columns	Eccentric max.	Move C(N)	Still Co(N)	(g)		
10	+0 -0.009	19	+0 -0.013	18	39	29	5	22	1.3	4	0.012	372	549	35		
12		21		20	41	30	5.5	23				510	784	45		
16		28		27	49	37	6	26.5	1.6	5		774	1180	80		
20	+0 -0.010	32	+0 -0.016	30.5	56	42	7	30.5			1.85	0.015	882	1370	109	
25		40		38	77	59	9	41	980	1570			255			
30		45		43	84	64	10	44.5	1570	2740	286					
35	+0 -0.012	52	+0 -0.019	49	92	70	11	49.5	2.1	6	0.020	1670	3140	453		
40		60		57	104	80	12	60.5				2160	4020	687		
50		80		76.5	128	100	14	74	2.6			3820	7940	1763		

G6 tolerance guide is recommended.

1N≒0.12kgf