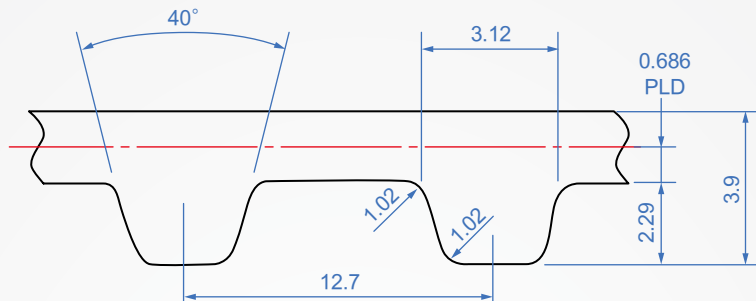


Pitch : 12.7mm

H

Width code	050	075	100	150	200	250	300	Unit weight (Width:1mm)	Material	Operating temperature
	12.7mm	19.1mm	25.4mm	38.1mm	50.8mm	63.5mm	76.2mm			
Ti Initial tension (N)	-	222	312	486	668	-	1050	3.8 g/m	CR Synthetic rubber	-10°C~50°C
Td Pressing load (N)	-	17	24	37	51	-	81		PU Polyurethane	-30°C~90°C



How to order

1 CR - 225 - H - 075
 Material Perimeter code Belt width

Belt chosen OPEN free length
 Example: Polyurethane OPEN-H-050-3.5M-PU

Perimeter code	Belt circumference		Number of teeth
	inch	mm	
225-H	22.5	571.5	45
230-H	23	584.2	46
240-H	24	609.6	48
255-H	25.5	647.7	51
270-H	27	685.8	54
280-H	28	711.2	56
300-H	30	762	60
310-H	31	787.4	62
315-H	31.5	800.1	63
320-H	32	812.8	64
330-H	33	838.2	66
360-H	36	914.4	72
370-H	37	939.8	74
375-H	37.5	952.5	75
390-H	39	990.6	78
400-H	40	1016	80
410-H	41	1041.4	82
420-H	42	1066.8	84
430-H	43	1092.2	86
440-H	44	1117.6	88
450-H	45	1143.1	90
465-H	46.5	1181.1	93
480-H	48	1219.2	96
485-H	48.5	1231.9	97
490-H	49	1244.6	98
510-H	51	1295.4	102
520-H	52	1320.8	104
540-H	54	1371.6	108

Perimeter code	Belt circumference		Number of teeth
	inch	mm	
560-H	56	1422.4	112
570-H	57	1447.8	114
580-H	58	1473.2	116
600-H	60	1524	120
615-H	61.5	1562.1	123
630-H	63	1600.2	126
640-H	64	1625.6	128
660-H	66	1676.4	132
680-H	68	1727.2	136
700-H	70	1788	140
750-H	75	1905	150
780-H	78	1981.2	156
800-H	80	2032	160
850-H	85	2159	170
885-H	88.5	2247.9	177
900-H	90	2286	180
950-H	95	2413	190
1000-H	100	2540	200
1100-H	110	2794	220
1120-H	112	2844	224
1130-H	113	2870.2	226
1250-H	125	3175	250
1325-H	132.5	3365	265
1345-H	134.5	3416.3	269
1400-H	140	3556	280
1460-H	146	3708.4	292
1700-H	170	4318	340

※優力膠尺寸不齊，訂購前請先確認加納庫存。

Copyright © CHENA INDUSTRIAL CO.,LTD ALL RIGHTS RESERVED.