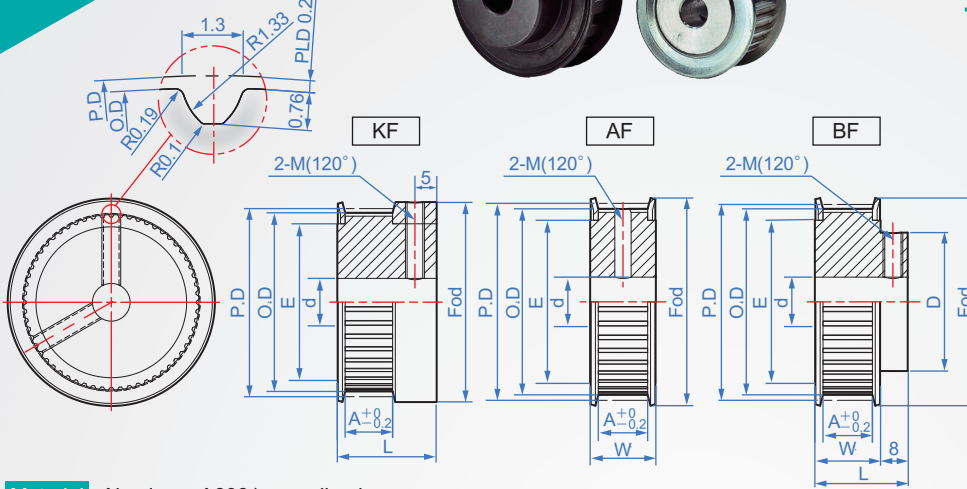


Pitch : 2.0mm

S2M

Enlarged view of detail A



Width code	4	6	10
Common size	A=5 W=9 L=17	A=7 W=11 L=19	A=11 W=15 L=23

How to order

1 34 - 2 S2M-4 - 3 BF - 4 H5 -

1 Number of teeth
 2 TYPE width
 3 Shape
 4 Hole shape

Choose surface treatment

AS.....Clear anode
 AB.....Black anode
 AN.....Electroless nickel
 AK.....Hardened anode

BF shape can specify changes
 Example: original D path 14, change 12.... D12

Material: Aluminum A6061+ anodized.
 Please contact us if you need iron material.

Unit : mm																
Number of teeth	TYPE width	Shape	Hole shape	Aperture d Processing min.	P.D	O.D	Number of teeth	D Teeth ≥ 32 Applicable	E	Fod						
14	S2M-4	KF	H Round hole 	3~	8.91	8.40	14									
15					9.55	9.04	15									
16					10.19	9.68	16									
17					10.82	10.31	17									
18					11.46	10.95	18									
19					12.10	11.59	19									
20					12.73	12.22	20									
21					13.37	12.86	21									
22					14.01	13.50	22									
23					14.64	14.13	23									
24		AF	Round hole + tapping P (120°) PV (90°) 		4~	15.28	14.77	24								
25						15.92	15.41	25								
26						16.55	16.04	26								
27						17.19	16.68	27								
28						17.83	17.32	28								
29						18.46	17.95	29								
30						19.10	18.59	30								
31						19.74	19.23	31								
32						20.37	19.86	32				12				
33						21.01	20.50	33				14			15	25
34		21.65	21.14	34												
35		22.28	21.77	35												
36		22.92	22.41	36												
37	23.55	23.05	37													
38	24.19	23.68	38													
39	24.83	24.32	39													
40	25.46	24.96	40													
41	26.10	25.59	41	18	18	27										
42	26.74	26.23	42													
43	27.37	26.87	43													
44	28.01	27.50	44													
45	28.65	28.14	45													
46	29.28	28.78	46													
47	29.92	29.41	47													
48	30.56	30.05	48													
49	31.19	30.69	49													
50	31.83	31.32	50													
	S2M-6	Keyway + Tapping N (120°) NV (90°) 		5~												
32											20.37	19.86	32	16	20	29
33											21.01	20.50	33			
34											21.65	21.14	34			
35											22.28	21.77	35			
36											22.92	22.41	36			
37											23.55	23.05	37			
38											24.19	23.68	38			
39											24.83	24.32	39			
40											25.46	24.96	40			
41	26.10	25.59	41	18	22	30										
42	26.74	26.23	42													
43	27.37	26.87	43													
44	28.01	27.50	44													
45	28.65	28.14	45													
46	29.28	28.78	46													
47	29.92	29.41	47													
48	30.56	30.05	48													
49	31.19	30.69	49													
50	31.83	31.32	50													
	S2M-10			6~												
32											20.37	19.86	32	20	23.5	33.5
33											21.01	20.50	33			
34											21.65	21.14	34			
35											22.28	21.77	35			
36											22.92	22.41	36			
37											23.55	23.05	37			
38											24.19	23.68	38			
39											24.83	24.32	39			
40											25.46	24.96	40			
41	26.10	25.59	41	20	25	35										
42	26.74	26.23	42													
43	27.37	26.87	43													
44	28.01	27.50	44													
45	28.65	28.14	45													
46	29.28	28.78	46													
47	29.92	29.41	47													
48	30.56	30.05	48													
49	31.19	30.69	49													
50	31.83	31.32	50													
	S2M-10			8~												
32											20.37	19.86	32	20	23.5	33.5
33											21.01	20.50	33			
34											21.65	21.14	34			
35											22.28	21.77	35			
36											22.92	22.41	36			
37											23.55	23.05	37			
38											24.19	23.68	38			
39											24.83	24.32	39			
40											25.46	24.96	40			
41	26.10	25.59	41	20	25	35										
42	26.74	26.23	42													
43	27.37	26.87	43													
44	28.01	27.50	44													
45	28.65	28.14	45													
46	29.28	28.78	46													
47	29.92	29.41	47													
48	30.56	30.05	48													
49	31.19	30.69	49													
50	31.83	31.32	50													

Copyright © CHENA INDUSTRIAL CO.,LTD ALL RIGHTS RESERVED.