

Toothed idler

DU300 S2M

Belt Width(mm)	4	6	10
Common size	A=5 W=9	A=7 W=11	A=11 W=15

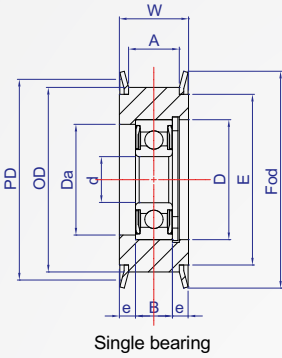
Main Part	Flang	Finish	Code
aluminum alloy	aluminum	Clear anodizing	AS
		Black anodized	AB
		Electroless nickel	AK
		Hard anodized	AN
S45C	Iron	Byed black	TB
		Electroless Nickel	TN

Center bearing



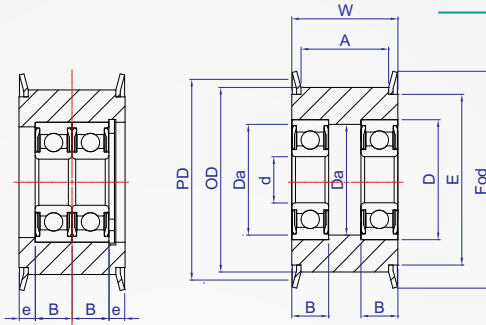
Two side bearing

Y Single bearing Retaining ring



Single bearing

Z Two bearing Retaining ring



Two bearing

How to order

DU - 20 - S2M - 6 - [] - []

1 TYPE Number of teeth
2 Tooth width
3 Kind

Choose a finish

- Aluminum + White Anodized..... AS
- Aluminum + Black Anodized..... AB
- Aluminum + hardened anode..... AK
- Aluminum + Electroless Nickel..... AN
- S45C+ dyed black..... TB
- S45C+ Electroless Nickel..... TN

Number of teeth	Tooth width	Kind	d	P.D	O.D	E	Fod	Y Single bearing						Z Two Bearing							
								No.	B	D	Da Max	e	C ring	No.	B	D	Da Max				
30	S2M-4 A=5 W=9	Y	5	19.1	18.34	14.5	22.6	685ZZ	5	11	9.8	3	R11	685ZZ	2pc	5	11	9.8			
35		Z		21.01	20.25	15	25												695ZZ	4	13
40		Y (Centered)	5	22.92	22.16	18	26	695ZZ	4	13	11.4	3.5	R13	695ZZ	2pc	4	13	11.4			
44				23.87	23.11	18	27												695ZZ	4	13
45			6	5	24.83	24.07	18	28	696ZZ	5	15	13.4	3	R15	-	-	-	-	-		
48					26.74	25.98	21	30												696ZZ	5
50				8	5	28.65	27.89	22.5	32	698ZZ	6	19	17	2.5	R19	-	-	-	-	-	
60						30.56	29.8	24	35												698ZZ
70	S2M-6 A=7 W=11	Y (Centered)	5	19.1	18.34	14.5	22.6	685ZZ	5	11	9.8	2.5	R11	685ZZ	2pc	5	11	9.8			
22				Z	21.01	20.25	15												25	695ZZ	4
24			6	5	22.92	22.16	18	26	695ZZ	4	13	11.4	3.5	R13	695ZZ	2pc	4	13	11.4		
25					23.87	23.11	18	27												695ZZ	4
26				8	5	24.83	24.07	18	28	696ZZ	5	15	13.4	5	R15	696ZZ	2pc	5	15	13.4	
28						26.74	25.98	21	30												696ZZ
30		Y (Centered)	8	5	30.56	29.8	24	35	698ZZ	6	19	17	4.5	R19	698ZZ	2pc	6	19	17		
32					32.47	31.71	26	36												698ZZ	6
34			10	8	5	33.42	32.66	28	37	698ZZ	6	19	17	4.5	R19	698ZZ	2pc	6	19	17	
35						34.38	33.62	29	38												698ZZ
36				12	8	5	36.29	35.52	31.6	40	6900ZZ	6	22	20	4.5	R22	6900ZZ	2pc	6	22	20
38							38.2	37.44	33.2	42											
40		Z (Sides)	10	5	40.11	39.35	33	45	6900ZZ	6	22	20	4.5	R22	6900ZZ	2pc	6	22	20		
42					42.02	41.25	34	47												6900ZZ	6
44			12	10	5	42.97	42.21	34	47	6900ZZ	6	22	20	4.5	R22	6900ZZ	2pc	6	22	20	
45						43.93	43.16	37	49												6900ZZ
46				12	10	5	45.84	45.07	37	49	6900ZZ	6	22	20	4.5	R22	6900ZZ	2pc	6	22	20
48							47.75	46.98	39	51											
50	Z (Sides)	12	10	57.3	56.53	52	61	6901ZZ	8	28	26	3.5	R28	6901	2pc	8	28	26			
60				66.85	66.08	58	71												6901ZZ	8	28
70		12	12	10	68.75	67.99	59	73	6901ZZ	8	28	26	3.5	R28	6901	2pc	8	28	26		
72					68.75	67.99	59	73												6901ZZ	8
80			12	12	10	76.39	75.63	60	80	6901ZZ	8	28	26	3.5	R28	6901	2pc	8	28	26	
90						85.94	85.18	70	90												6901ZZ
100	12	12	10	95.49	94.73	80	100	6901ZZ	8	28	26	3.5	R28	6901	2pc	8	28	26			
100				95.49	94.73	80	100												6901ZZ	8	28

Copyright © CHENA INDUSTRIAL CO., LTD ALL Rights Reserved.