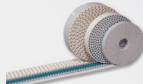
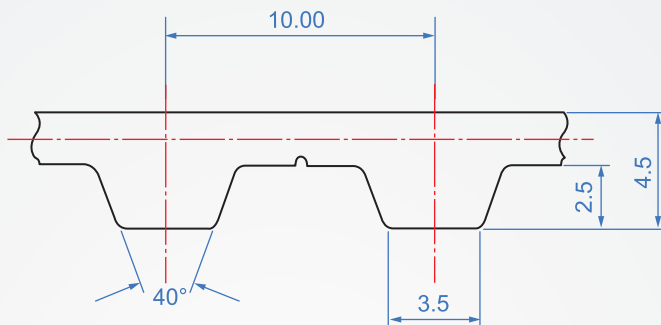



Pitch : 10.0mm

T10

Belt width	15	20	25	30	40	50	Unit weight (Width:1mm)	Belt OPEN free length	length (m)	
	Ti Initial tension (N)	108	157	196	245	333			422	2.0 g/m
Td Pressing load (N)	7.2	10.5	13.1	16.3	22.2	28.1				

How to order 

PU - T10 - 500 - 15
 Material TYPE Belt circumference Belt width

Belt chosen OPEN free length
 Example : Polyurethane
 OPEN-T10-15-3.6M-PU

Material : PU, steel wire core buried.

26~75 teeth	
Belt circumference mm	Number of teeth
260	26
340	34
370	37
390	39
400	40
410	41
440	44
450	45
480	48
500	50
530	53
550	55
560	56
600	60
610	61
630	63
650	65
660	66
690	69
700	70
720	72
730	73
750	75

76~125 teeth	
Belt circumference mm	Number of teeth
760	76
780	78
810	81
840	84
850	85
880	88
890	89
900	90
910	91
920	92
950	95
960	96
970	97
980	98
1010	101
1080	108
1110	111
1140	114
1150	115
1210	121
1240	124
1250	125
1300	130

130~478 teeth	
Belt circumference mm	Number of teeth
1320	132
1350	135
1390	139
1400	140
1420	142
1440	144
1450	145
1460	146
1500	150
1560	156
1610	161
1750	175
1780	178
1880	188
1960	196
2010	201
2040	204
2250	225
3100	310
4780	478

※ 上表周長以外的長度，可以訂製，使用熱溶銜接，其扭力與張力值會減小；僅適用於低速運轉與輸送用途上。