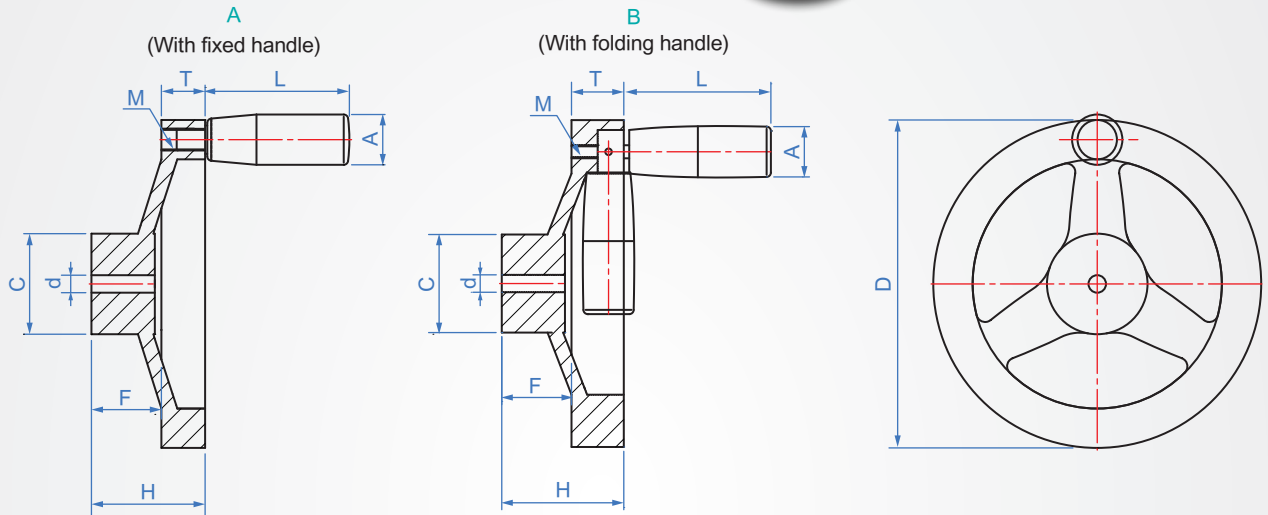


Cast iron
YO964
Three-piece

Body			Handle	
Material	Three-piece surfaces	Finish	Material	Color
Cast iron FC20	Black paint	Chrome plating	Bakelite	Black
		Sandblasting		



No.	D	d	Hole shape	Aperture	C	F	H	T	Rotary handle			weight kg
									A	L	M	
A (With fixed handle)	75	6	P	6~12	25	18	27	11	—	—	—	0.3
	100	8		8~14	30	19	33	13	—	—	—	0.5
	125	8	P	8~16	36	29	43	15	23	65	5/16"	0.8
	150				46	29	52	20	26	80	3/8"	1.3
	165	9	P	10~22	47	30	55	21				28
	175				50	27	51	20	1.6			
	200				51	35	54	21	2.2			
	230	10	P	12~30	60	38	63	22	28	90	3/8"	2.5
	250				68	34	61	25				3.4
	300	10	N	8~22	70	38	68	26	28	90	3/8"	4.5
352	76				38	77	29	6.5				
B (With folding handle)	150				8	N	8~22	45				29
	160	46	30	60				25	26	80	1.6	
	175	50	31	60	25	26	80	2				
	200	50	32	57	25	26	80	2.2				
	230	48	40	63	25	26	80	2.6				
	252	10	N	13~30	68	34	62	26	28	90	3/8"	3.4
	304				68	38	68	26				4.5
353	76	40	80	30	28	90	6.8					

How to order

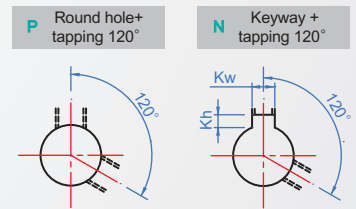
YO964 - A - 150 - N10 - CR

TYPE No. D Specified hole

Select surface treatment

Chrome plating..... CR

Sandblasting..... SN



Shaft hole P, N size table

unit : mm			
Shaft aperture	Kw	Kh	Tapping
8~10	3	1.4	M4
11~12	4	1.8	M5
13~17	5	2.3	M5
18~22	6	2.8	M6
23~30	8	3.3	M6

(New JIS B 1301)