

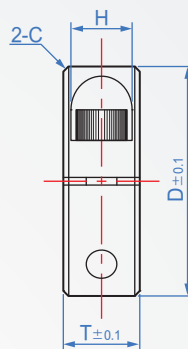
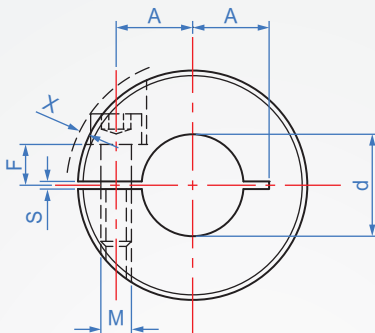
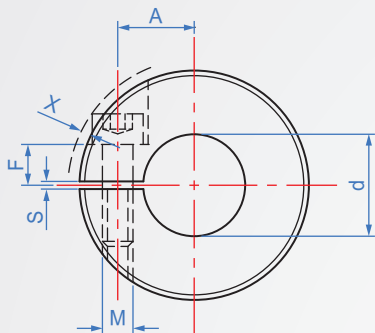
With Slit-Universal
SC481



Material	Finish	Screw accessory
S45C	Dye black	SCM435
	Electroless nickel	SUS304
SUS303	-	SUS304

d : 40~50
(Only the A Department)

d : 5~35



How to order

1 2 3
 SC481 - 8 - 25 - 10 -
TYPE d D T
 Material chosen
 S45C+Black oxide.....
 S45C+Electroless nickel. TN
 SUS303..... SUS

Copyright © CHENA INDUSTRIAL CO.,LTD ALL Rights Reserved.

										unit :mm	
d	Tolerance	D	T	A	C	F	H	S	Screw length M	Protruding screw head X≒	
5	+0.03 +0.01	20	8	6	0.5	4	6	1	M3-10	1.21	
		22	10				7.5		M4-10	1.42	
6	+0.03 +0.01	20	8	6	0.5	4	6	1	M3-10	1.21	
		22	10				7.5		M4-10	1.42	
8	+0.03 +0.01	25	8	8	0.5	5	6	1.5	M3-12	0.90	
		25	10				7.5		M4-12	2.11	
		30	12	9			M5-15		1.60		
		32	15	11			M6-15		1.81		
10	+0.03 +0.01	28	8	9	0.5	6	6	1.5	M3-14	0.21	
		30	10				7.5		M4-14	0.40	
		30	12				9		M5-15	1.58	
12	+0.03 +0.01	35	15	10		0.5	5	6	1.5	M6-16	1.71
		30	8		6			M3-14		0.05	
		30	10	7.5	M4-14			1.22			
		30	12	9	M5-15			2.41			
15	+0.05 +0.01	35	15	11	0.5	6	11	1.5	M6-16	2.50	
		35	12				7.5		M4-14	0.61	
		40	15				9		M5-16	2.12	
16	+0.05 +0.01	35	10	12		0.5	7	11	1.5	M6-18	2.23
		35	12		7.5			M4-14		0.95	
17	+0.05 +0.01	40	15	13	0.5		6	9	1.5	M5-16	2.12
		35	12					9		M6-18	2.20
18	+0.05 +0.01	40	15	13		0.5	7	11	1.5	M6-18	2.20
		40	15					11		M6-20	2.80
20	+0.05 +0.01	45	15	15	0.5		8	11	1.5	M6-20	1.90
		40	10					7.5		M4-16	0.67
25	+0.05 +0.01	40	12	14		0.5	7	9	1.5	M5-16	1.84
		45	15					11		M6-20	1.91
30	+0.05 +0.01	45	12	17	0.5		8	9	1.5	M5-16	1.90
		45	15					11		M6-20	1.91
35	+0.05 +0.01	50	15	18		1.0	10	11	2	M6-25	3.02
		55	15					20		M6-25	2.25
40	+0.05 +0.01	60	15	23	1.0		12	11	2	M6-25	3.29
		70	18					13		M8-30	3.69
45	+0.05 +0.01	75	18	28		1.0	14	14	3	M8-30	3.42
		75	18					14		M10-35	5.21
50	+0.05 +0.01	85	22	32	1.0		16	18	3	M10-35	5.21