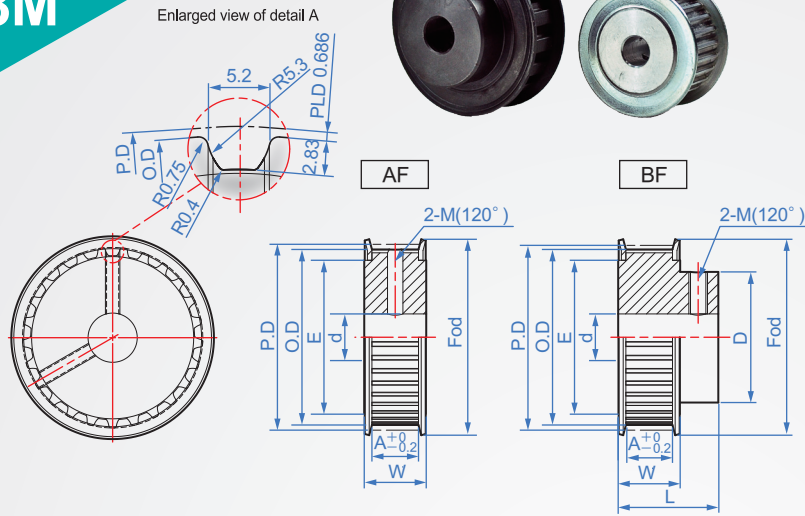


Pitch : 8.0mm

S8M



Belt width	10	15	20	25
Common size	A=11 W=16 L=28	A=17 W=22 L=34	A=22 W=27 L=39	A=27 W=32 L=44

※Teeth < 44(L=W+15) , teeth ≥ 44 (L=W+20)

Material : Aluminum A6061+ anodized.
Please contact us if you need iron material.

How to order

1 2 3 4

18 - S8M-15 - BF - H12 -

Number of teeth TYPE width Shape Hole shape

Choose surface treatment

AS Clear anode
AB Black anode
AN Electroless nickel
AK Hardened anode

BF shape can specify changes

Example: original D path 32, change 31..... D31

1	2	3	4	Unit : mm						
Number of teeth	TYPE width	Shape	Hole shape	Aperture d Processing min.	P.D	O.D	Number of teeth	D	E	Fod
14					22.28	21.32	14	14	16	26
15					23.87	22.91	15	15	18	28
16					25.46	24.5	16	17	20	
17					27.06	26.1	17	16	22.5	32
18					28.65	27.69	18	19		
19					30.24	29.28	19		24	35
20					31.83	30.87	20			
21					33.42	32.47	21	22	26	36
22					35.01	34.05	22	24	28	40
23					36.61	35.65	23	26		42
24					38.2	37.24	24	30		45
25					39.79	38.83	25	27		
26					41.38	40.42	26	31	34	47
27					42.97	42.01	27			
28					44.56	43.6	28	32	37	49
29					46.15	45.19	29			
30					47.75	46.79	30	33	40	52
31	S5M-10				49.34	48.38	31			
32					50.93	49.97	32	37		55
33					52.52	51.56	33			58
34	S5M-15	AF			54.11	53.15	34		44	62
35					55.7	54.74	35	40		
36	S5M-20	BF			57.3	56.34	36		45	65
37					58.89	57.93	37			
38					60.48	59.52	38	47	52.5	67.5
39	S5M-25				62.07	61.11	39			
40					63.66	62.7	40			
41					65.25	64.29	41	48	58	71
42					66.85	65.89	42			
43					68.44	67.48	43	50	59	73
44					70.03	69.07	44			
45					71.62	70.65	45	55	60	80
46					73.21	72.25	46			
47					74.8	73.84	47			
48					76.39	75.43	48	60		83
49					77.99	77.03	49	63	65	85
50					79.58	78.62	50			
60					95.49	94.53	60	75	80	100
70					111.41	110.45	70	80		
72					114.59	113.63	72	90	98	118
80					127.32	126.36	80		110	135
90					143.24	142.28	90	100	120	146
100					159.15	158.21	100		130	165

H Round hole

Round hole + tapping

Axis aperture	Tapping
6~12	M4
13~17	M5
18~30	M6
31~44	M8
45~65	M10

Keyway + Tapping

Shaft bore kw(Js9)	kh	Tapping
8~10	3	1.4
NK10	4	
11~12	4	1.8
13~17	5	2.3
18~22	6	2.8
23~30	8	
31~38	10	3.3

Copyright © CHENA INDUSTRIAL CO.,LTD ALL Rights Reserved.