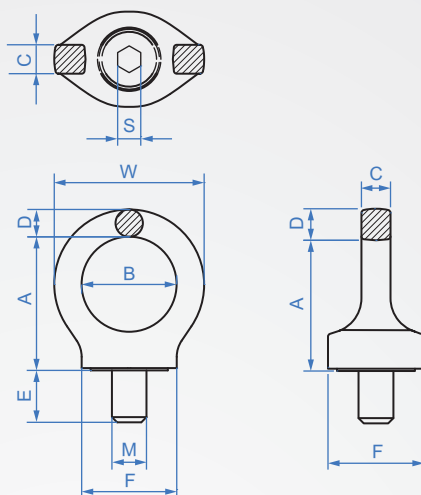


Ring  
**KD769**  
Ring rotation



Part	Material
Ring	Forged alloy steel
Bolt	Steel

How to order

**KD769** - **M12**  
TYPE M

Ultimate load Tons	M	Pitch	E	W	S	B	C	D	A	F	Locking torque Nm	weight kg
0.3	M8	1.25	12	44	6	25	8	9	36	25	10	0.1
0.4	M10	1.5	15	44	6	25	8	9	36	25	10	0.1
0.75	M12	1.75	18	52	8	30	10	11	45	33	10	0.2
1.5	M16	2	24	61	10	35	14	13	52	35	30	0.3
2.3	M20	2.5	30	70	12	40	16	15	60	44	70	0.6
3.2	M24	3	36	84	14	48	19	18	72	52	150	1
4.5	M30	3.5	45	105	17	60	24	22	90	60	350	1.8
7	M36	4	54	126	22	72	29	27	109	76	410	3.2
9	M42	4.5	63	147	24	82	34	32	123	88	55	5
12	M48	5	72	168	27	94	38	37	144	104	55	7.6
16	M56	5.5	84	178	27	102	40	43	147	124	800	9.2
18	M64	6	95	178	27	102	40	43	147	130	800	10

Ring load table

Hanging icon										
Count	1	2	1	2	2	2	2	3~4	3~4	3~4
Load angle	0°	0°	90°	90°	0° ~ 45°	45° ~ 60°	Asymmetrical on both sides	0° ~ 45°	45° ~ 60°	Asymmetrical on both sides
Thread	Load limit Tons									
M8	1	2	0.3	0.6	0.42	0.3	0.3	0.63	0.45	0.3
M10	1	2	0.4	0.8	0.56	0.4	0.4	0.8	0.6	0.4
M12	2	4	0.75	1.5	1	0.75	0.75	1.5	1.1	0.75
M16	4	8	1.5	3	2.1	1.5	1.5	3.1	2.2	1.5
M20	6	12	2.3	4.6	3.2	2.3	2.3	4.8	3.4	2.3
M24	8	16	3.2	6.4	4.5	3.2	3.2	6.7	4.8	3.2
M30	12	24	4.5	9	6.3	4.5	4.5	9.4	6.7	4.5
M36	16	32	7	14	9.8	7	7	14.7	10.5	7
M42	24	48	9	18	12.6	9	9	18.9	13.5	9
M48	32	64	12	24	16.8	12	12	25	18	12
M56	34	68	16	32	22.4	16	16	32	24	16
M64	36	72	18	36	25.2	18	18	36	27	18

※Note

- It can be rotated 360° to adjust the angle with the direction of force.
- The rings are made of wrought alloy steel and are quenched and tempered.
- The rings are manufactured and tested in accordance with the relevant European standard EN1677-1.
- The product is inspected by 100% magnetic particle inspection.
- All forged parts and hex bolts can be traced by quality inspection reports.
- The bolts are UNC threads and comply with US Standard ASME/ANISI B18.2.1.
- The specifications of hexagonal alloy steel bolts comply with the European Union Directive DIN EN ISO 4762.
- Verify that the load is 2.5 times the working limit load.
- The fatigue limit test was performed 20,000 times with a force of 1.5 times the working limit load.
- Only the screw holes are required for the object to be lifted, and the hex wrench is used for installation.

- ▶ Obtained a Chinese patent
- ▶ Obtained a French patent
- ▶ Obtained Australian patent