

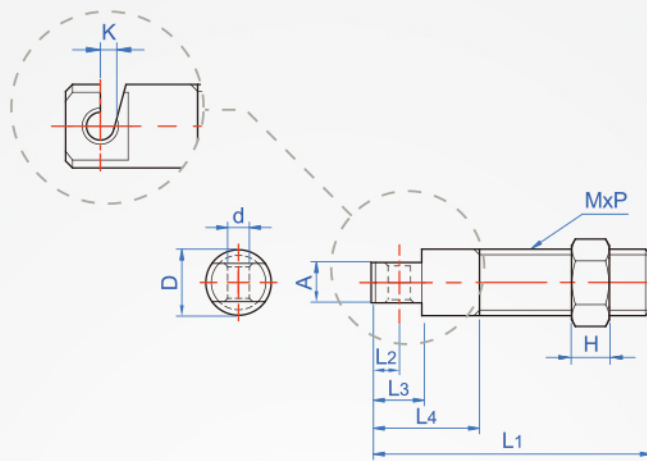
Expansion springs mainstay

CA125

Convex



Incision processing



Material	Accessory
SUS303	SUS Nut x1

How to order

CA125 - 3 - 15 -

TYPE D L1

Style
 Convex.....
 Incision processing...

1		2						Unit : mm						
D	L1						L2	L3	L4	A	d	H	k Incision	MxP
3	15	20	25	30			1.5	3	6	1.5	1.5	2.4	0.7~0.8	M3x0.5
4	15	20	25	30	35		1.75	3.5	8.5	2.5		3.2		M4x0.7
5	15	20	25	30	35	40	2	4	9	3	2	4	0.9~1.0	M5x0.8
6		20	25	30	35	40	50	2.5	5	10				3.5

Note

Copyright © CHENA INDUSTRIAL CO., LTD All Rights Reserved.