

Damping hinges(Adjustable)

## CL927

A



B



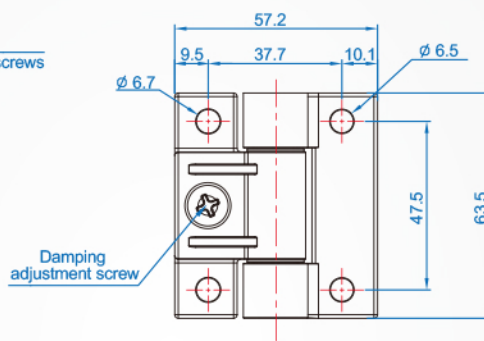
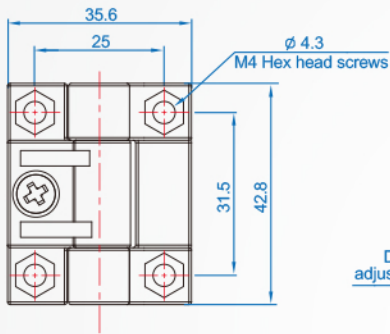
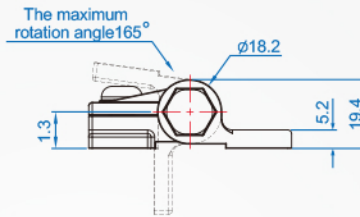
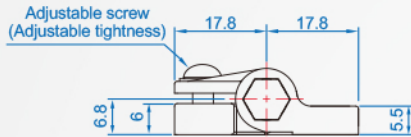
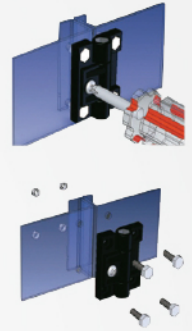
Material

- Main material : POM
- Axis material : PC

Feature

- Torque strength is adjusted by screwdriver can hold steady at any angle.

Installation example: Type A



How to order

SC483 - A  
 TYPE      Style

Note