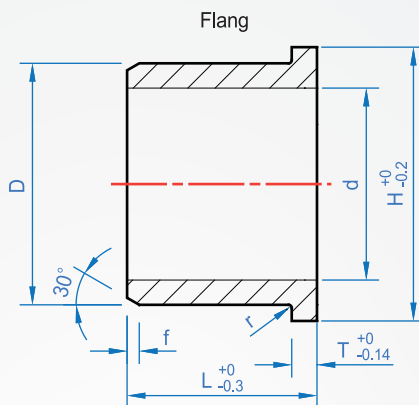
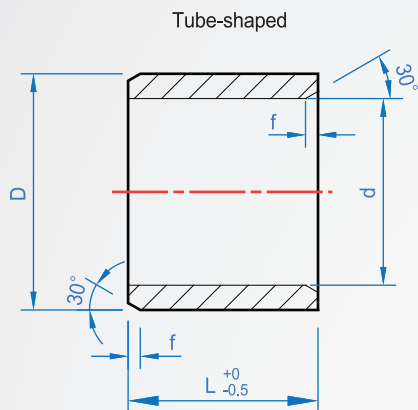
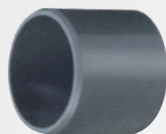
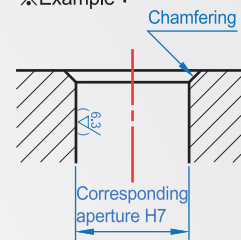


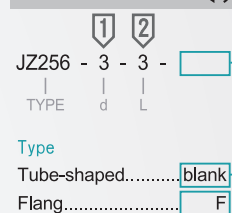
Thickness
JZ256
Oilless



※Example :



How to order



Wall thickness and durable

This self-lubricating oilless sliding bearing main feature is the impact, shock absorption and wear resistance. It is particularly suitable for applications in which the requirements of shock absorption, such as: fitness equipment and packaging machinery.

Applications situation

- When the need to withstand side loads.
- When the bearing is exposed to a lot of dust (Hold dirt to protect the shaft).
- When the average speed is low.
- When the surface of the wall is often affected by mechanical shock.
- Wall thickness conform DIN 1850 standards.

Characteristics distinguish	Unit	Numerical	Detection method
Density	g/cm ³	1.14	
Color		Carbon Black	
Dynamic friction coefficient of steel	μ	0.18~0.40	
D Hardness	Shore HS	79	DIN53505
Elastic modulus	Mpa	2700	DIN53457
Tensile strength(20°C)	Mpa	112	DIN53452
Compressive strength	Mpa	52	
The max. temperature of use	°C	80	
Short-term max. temperature	°C	170	
Thermal conductivity	W/mxk	0.24	ASTMC177
Thermal expansion coefficient(32°C)	K ⁻¹ × 10 ⁻⁵	10	DIN53752
Volume resistivity	Ω cm	>10 ¹³	DINIEC93
Electric surface resistivity	Ω	>10 ¹¹	DIN53482

d		L						D	f	T	H	Recommended correspondence size			
After press-in H7 hole		Tube-shaped			Flang							Mounting holes H7		Shaft diameter h7	
3	+0.08 +0.02	3	4		4			6	0.3	1.5	9	6	+0.012 -0	3	+0 -0.010
4		4	6		4	6	8	7	0.3	2.0	12	7	+0.015 -0	4	+0 -0.012
5	+0.10 +0.03	5	8		5	6	8	8	0.3	2.0	13	8		5	
6		6	8	10	6	10		10	0.5	2.0	14	10	6		
8	+0.13 +0.04	8	10	12	8	12		12	0.5	2.0	16	12	+0.018 -0	8	+0 -0.015
10		8	10	16	10	14	19	14	0.5	1.0	18	14		10	
12	+0.16 +0.05	15	20		10	20		16	0.5	3.0	22	16	+0.021 -0	12	+0 -0.018
16		15	20	25	15	20	25	22	0.8	3.0	28	22		16	
20	+0.19 +0.06	15	20	30	15	20	30	26	0.8	3.0	32	26	20	+0 -0.020	

※Meets the DIN 1850 size standard and special sizes.
 ※The corresponding aperture and Shaft diameter are recommend size.
 ※All are permanent stores, L size allowed processing length to change shorter. Contact Chena to check.