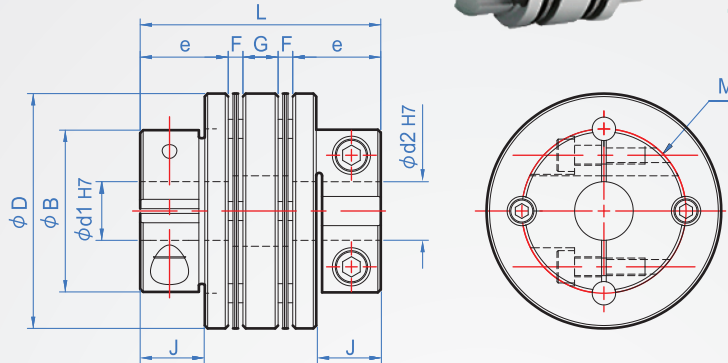


Two-sided flange coupling

## CH415

Long type



Main part	Disk · Pin	Hex socket head cap screws
A6061 (Clear anodizing)	SUS	SCM435 (Black oxide)

### How to order

1 CH415 - 2 40 - 11x13  
 TYPE D d1xd2

Unit : mm

D	d1 - d2		B	L	J	e	M	G	F	Quality	Torque (N · m)	Max. torque (N · m)	Moment of inertia (kg · m <sup>2</sup> )	Allowable axial displacement (mm)	Allowable eccentric (mm)	Highest number of rotations (rpm/min)	Allowable declination (°)
	min.	max.															
40	8	~ 16	28	48	10.5	15	3-M4	9	4.5	100	6	12	15.3 × 10 <sup>-6</sup>	±0.6	0.2	10000	1.5
45	10	~ 18	33				4-M4			120	9	18	28.2 × 10 <sup>-6</sup>				
50	10	~ 20	40	64	15	20	4-M5	11	6.5	230	17	34	53.6 × 10 <sup>-6</sup>	±0.8	0.25	10000	1.5
57	10	~ 22	42		14					248	25	50	87.1 × 10 <sup>-6</sup>				
65	12	~ 28	50	76	18	24	4-M6	14	7	420	55	110	225.9 × 10 <sup>-6</sup>	±0.9	0.3		