

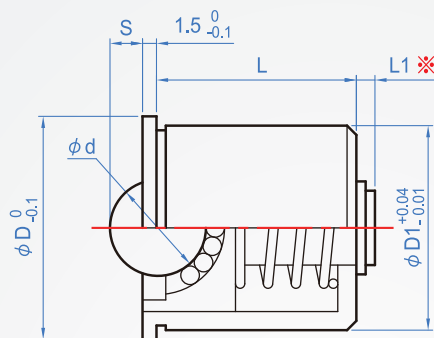
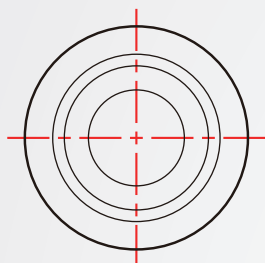
Spring function

BR835

Press-in

| Main part | Distance ring | Ball | Cover | Spring | Retaining Ring |
|-----------|---------------|------------------|--------|----------|----------------|
| SUS304 | SUS304 | SUS440 HRC55~ | SUS304 | SUS631JI | SUS304 |

※Slide with ball



When the ball beat down by force
L1 will relatively lower than pressure
value again ; Therefore, the bottom
of the floating design at least L1+S.



How to order

BR835 - 14
| TYPE | D1

1

Unit : mm

| D1 | D | L | S | d | L1 | Load (N) | |
|----|----|------|-----|-------|-----|----------|------|
| | | | | | | min. | max. |
| 14 | 16 | 14 | 1.5 | 5.56 | 1.5 | 23 | 30 |
| 18 | 20 | 17 | 2.5 | 8.73 | 2 | 24 | 38 |
| 22 | 24 | 21.5 | 3.5 | 10.32 | 2 | 24 | 55 |

Recommendation corresponds hole H7

kgf=N×0.101972

Che Na

FAX 886-2688-3177

info@chena.com.tw

 886-22688-3188
886-2688-3881~3 No.21, Guangrong St. Shulin Dist.,
New Taipei City 238 Taiwan (R.O.C.)