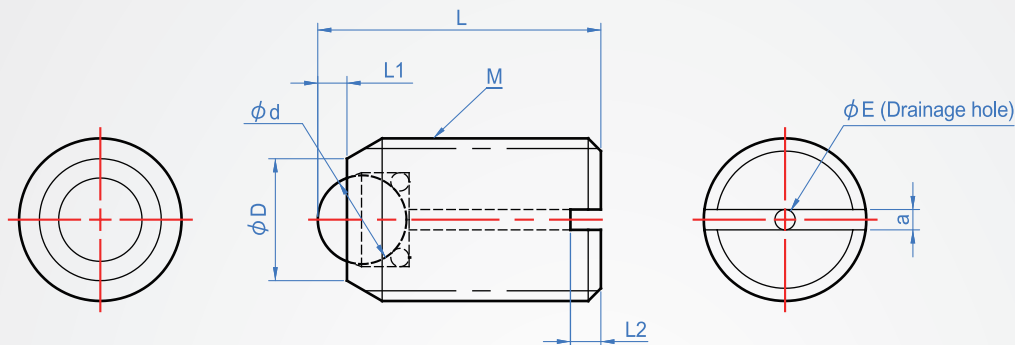


Set ball roller-POM

BR844

Main part	Main ball	Auxiliary ball
Resin (POM)	Resin (POM)	SUS440C HRC55~



How to order

BR844 - M10
 TYPE M



Unit : mm

M Coarse thread	L	L1	D	d	E	a	L2	Load resistance N
M8	14	1.5	6	4.76	1.5	1.2	1.5	2
M10	16	1.7	8	5.56	2.5	1.5	2	4
M16	25	2.8	12	8.73	3	2	3	7
M20	30	3.5	14	10.32	3.5	3	4	11

kgf=N×0.101972

Che Na

FAX 886-2688-3177

info@chena.com.tw

886-22688-3188
886-2688-3881~3No.21, Guangrong St. Shulin Dist.,
New Taipei City 238 Taiwan (R.O.C.)