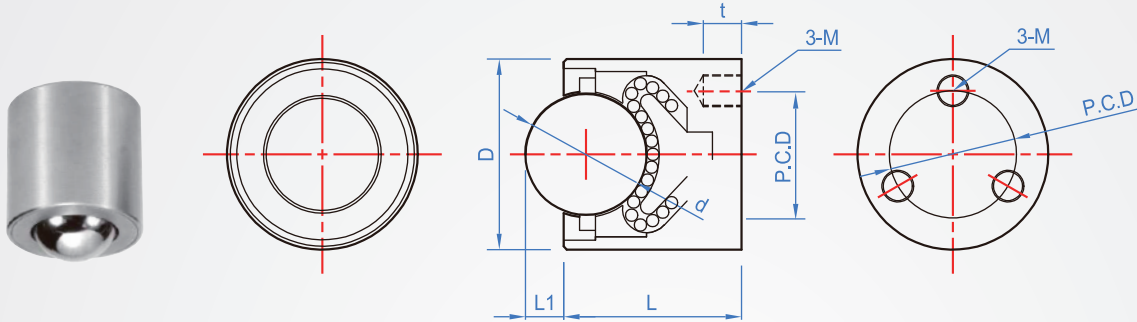


Column type  
**BR855**  
 Downward

Main part	Dust ring	Base	Main ball	Auxiliary ball
S45C Electroless nickel	Felt	SCM415 50HRC~	SUJ2 55HRC~	SUJ2 55HRC~



How to order

BR855 - 24  
 |            |  
 TYPE        D

							Unit : mm
D	L	M	L1	d	P.C.D	t	Load resistance (N)
24	24	4	5	15.875	16	6	900
30	28	5	6	19.05	20	6	1100
38	37	6	8	25.4	26	8	1200

kgf=N×0.101972

Copyright © CHENA INDUSTRIAL CO., LTD ALL Rights Reserved.