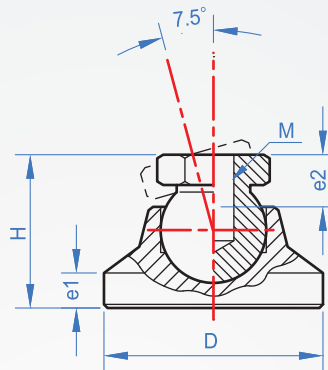


Horizontal foot
FT981
Female thread

※Feature :
Horizontal foot it can be applied to uneven ground and stand angularly, within the permissible angular stick flat ground use ; Exert foot load capacity. Static load bearing vertical relative importance of ball bearings, adjustment foot bolt type by bolt bearing capacity limit.

Material	Finish
Steel	White zinc plated
SUS304	—



How to order

1
 FT981 - M8x1.25 -
TYPE MxPitch
Material chosen
 Steel..... Blank
 SUS304..... SUS

1						Unit : mm
M x Pitch	D	H	e1	e2	Static load (N)	
M8 x 1.25	25	19	4	9	7000	
M10 x 1.5	32	23	5	10.5	11000	
M12 x 1.75	50	28	7	11.5	16000	
M16 x 2.0	60	36	8.5	16	30000	

Copyright © CHENA INDUSTRIAL CO.,LTD ALL RIGHTS RESERVED.