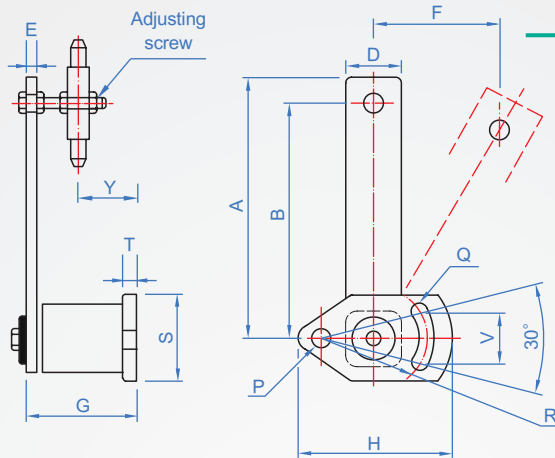


Elastic idler with sprocket

## RS352



※The dimensional drawing is the forward tension.  
If you need to reverse the use, please order it.

Gear			Bracket	
Material	Finish	Bearing	Material	Finish
S35C	Tooth surface high frequency ( Black )	SUJ2	SS41	Black

◎Specialty:

- Never need to adjust chain tension permanently.
- Absorb vibration and noise.
- Increase the life of the chain by three times.
- Reducing costs is cheaper than self-control.

How to order

RS352 - 45 - 40  
TYPE      Max. load      series

● Single tooth set

Max. load kgf	Sprockets		A	B	D	E	F Max. displacement	G ±1	H	P	Q Groove width	R	V	S	T	Y Adjustable	Adjusting screw	weight (g)
	series	Number of teeth																
5	25 (2分)	12	47	40	16	4	20	30	30	5.2	5.2	25	-	20	4	-	M6x30	100
10	35 (3分)	16	92	80	20	5.5	40	51	52	7	7	35	17.5	35	5	13~40	M10x50	360
13			70	60			30											350
15	40 (4分)	14	112	100	25	5.5	50	63	70	8.5	8.5	50	25	40	8	15~51	M10x60	510
21			80	70			35											600
45	50 (5分)	12	125	110	38	7	110	91	80	9	8.5	60	30	50	12	23~77	M12x80	700
	40 (4分)	14																990
	50 (5分)	12																995
	60 (6分)	12																1050

● Double teeth set

Max. load kgf	Sprockets		A	B	D	E	F Max. displacement	G ±1	H	P	Q Groove width	R	V	S	T	Y Adjustable	Adjusting screw	weight (g)
	series	Number of teeth																
45	40D (4分)	14	125	110	38	7	55	91	80	9	8.5	60	30	50	12	23~77	M12x80	1000
	50D (5分)	12																1100
	60D (6分)	10																1300

◎This product can use Washers, nut adjustment sprocket and pulley position.

※ ①②adjustment with washers , ③④⑤ adjust with nuts ◦

