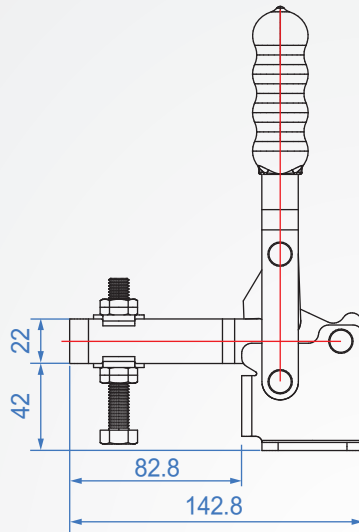
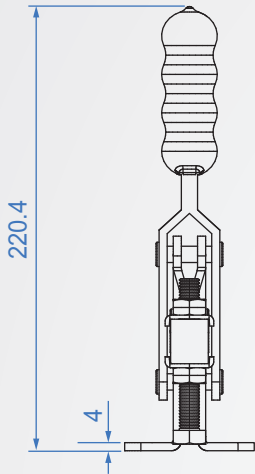
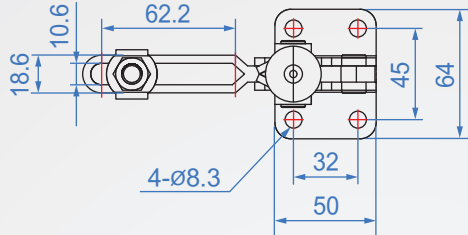


GH13502-B



GH13502-B

Material : SS400 Finish : hromium platedc

unit : mm

Code No.	Clamping pressure (kg)	weight (g)	Handle movement	Chuck movement	Front end fitting
GH13502-B	350	893	70°	90°	NSA-108015

1N≒0.102kgf