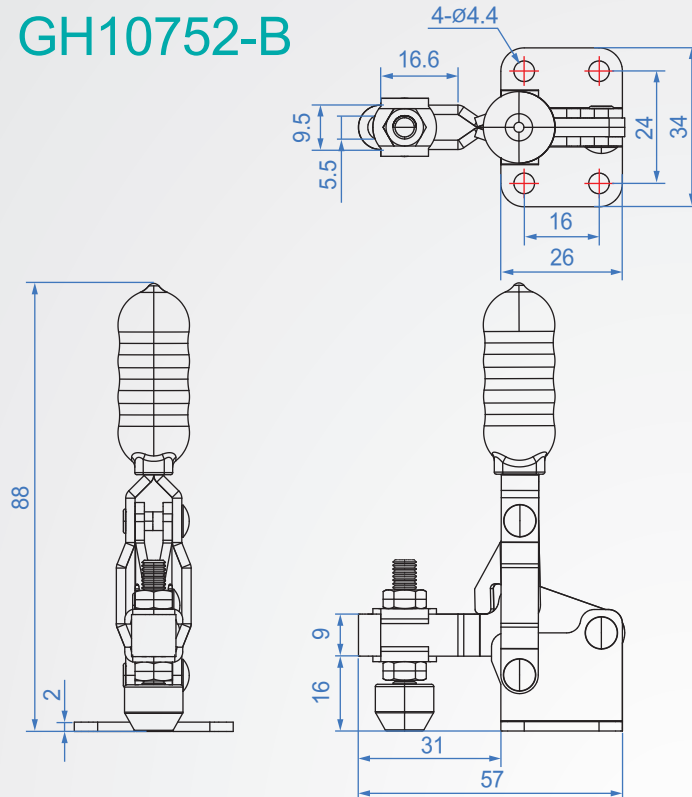


## GH10752-B



## GH10752-B

Material : SS400 Finish : Zinc plated

unit : mm

Code No.	Clamping pressure (kg)	weight (g)	Handle movement	Chuck movement	Front end fitting
GH10752-B	75	91	85°	120°	NSA-055008