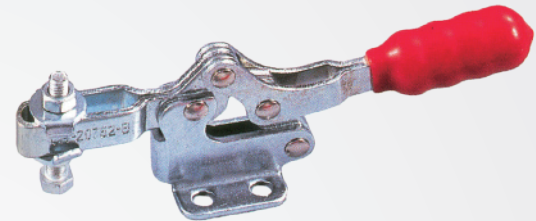
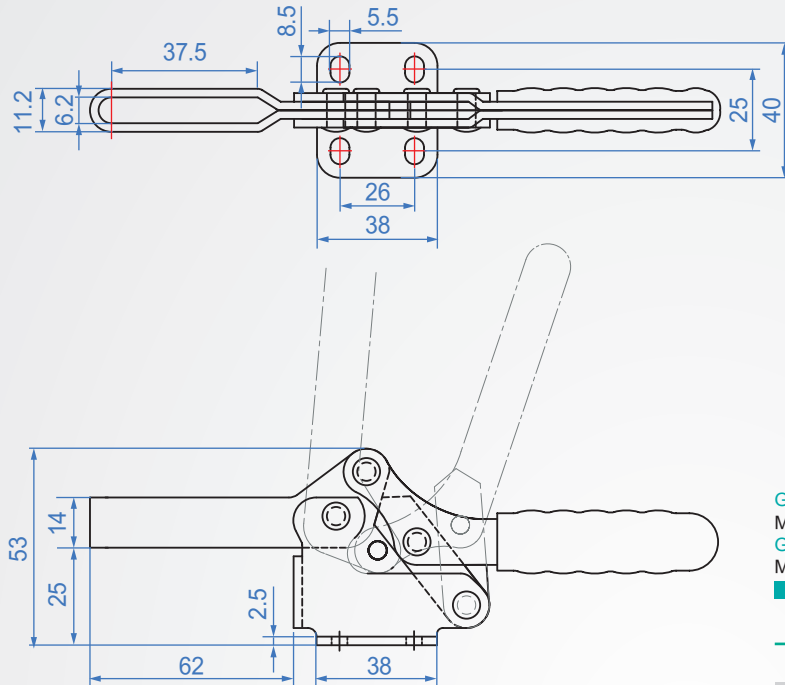


GH21502-B



GH21502-B

Material : SS400 Finish : Zinc plated

GH21502-BSS

Material : SUS304

Unit : mm

Code No.	Clamping force(kg)	weight (g)	Hadle moving	Chuck moving	Front-end accessories
GH21502-B	150	245	76°	93°	NSA-064010
GH21502-BSS	150	245	76°	93°	—