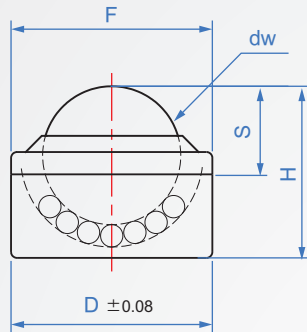


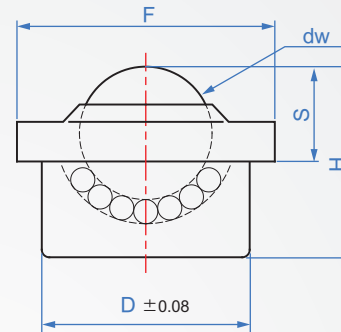
Iron shell
BR817

Main bead	Auxiliary beads	Ontology
ST-Steel ball	Steel	Steel plate Galvanized

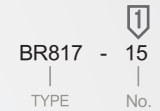
No.12



No.15、25



How to order



Copyright © CHENA INDUSTRIAL CO.,LTD ALL Rights Reserved.

unit : mm								
No.	dw	D	F	S	Tolerance	H	Load(N)	Weight
12	1/2"	22	22	6	+0.1	17	200	35
15	5/8"	24	31	9.5	+0.2	21	600	60
25	1"	38	45	14		31	2200	190

kgf=N×0.101972