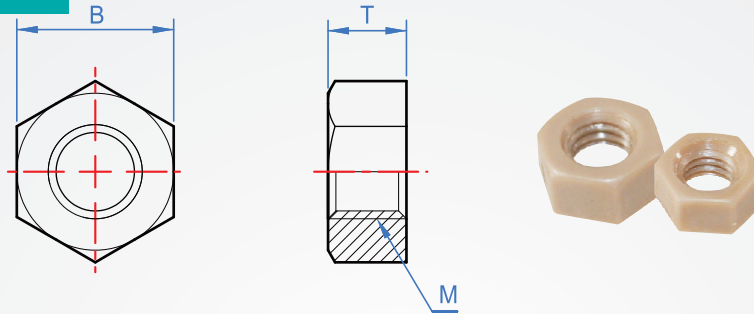


Resin nut

**WA719****Material**

PPGF (PP+Glassfiber)

PPS

PEEK

**How to order**

WA719 - M5 -

TYPE M

**Material chosen**

PPGF.....PPGF

PPS.....PPS

PEEK.....PEEK

Unit : mm

M	B	T	Pitch	Each package quantity
M3	5.5	2.4	0.5	20
M4	7	3.2	0.7	20
M5	8	4	0.8	20
M6	10	5	1.0	20
M8	13	6.5	1.25	10
M10	17	8	1.5	10

## ※ PPS-PolyPhenyleneSulfide

PPS is a crystalline engineering plastics, it has excellent heat resistance, can be used continuously at 200 °C environment. Have good acid & alkali corrosion, no oil and organic solvent can be dissolved PPS at 200 °C and below. In addition, high strength, rigidity can keep high heat resistance, abrasion performance, electrical specification and excellent dimensional stability. Heat resistance : 200°C (UL authenticcate). Flame resistance : Comply with UL94V-0 standard.

## ※ PEEK-PolyEtherEtherKetone

PEEK has the highest semi-crystalline engineering plastics, good acid and alkali resistance, in addition to the concentrated sulfuric acid, other chemicals almost impossible to erosion. In addition abrasion performance, water resistance, radiation resistance, heat resistance 180°C(UL authenticcate). Flame resistance : Comply with UL94 V-0 standard.

\*PPS & PEEK applied to the semiconductor manufacturing apparatus, etching apparatus of printed circuit board, the use of acid and alkali metal surface treatment equipment, etc.

Item	PPS	PEEK
Light	△	○
Water stability	◎	△
Strength、Rigidity	◎	○
Impact resistance	○	○
Abrasion performance	◎	◎
Flame resistance	◎	◎
Non-flammable	◎	◎
Electrical specification	◎	◎
Weather fastness	○	◎
Drug tolerance	◎	○

**Che Na**

FAX 886-2688-3177

info@chena.com.tw

886-22688-3188  
886-2688-3881~3No.21, Guangrong St. Shulin Dist.,  
New Taipei City 238 Taiwan (R.O.C.)