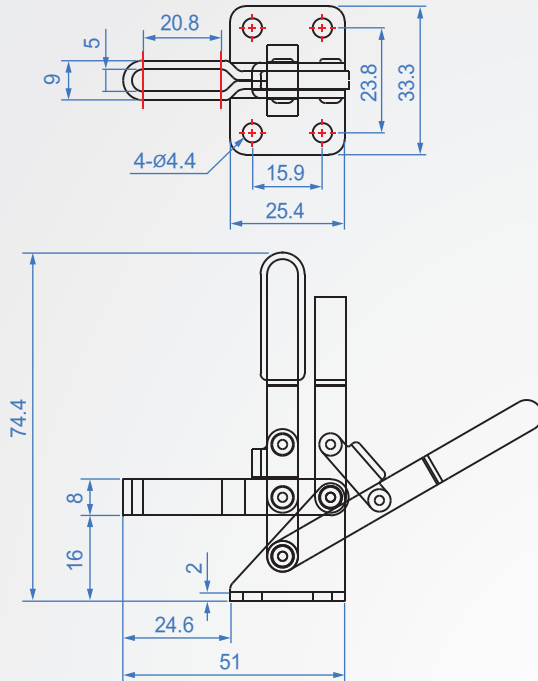


## GH101-A



## GH101-A

Material : SS400 Finish : Chrome plated

## GH101-ASS

Material : SUS304

Unit : mm

Code No.	Clamping force(kg)	Weight (g)	Handle moving	Chuck moving	Front-end accessories
GH101-A	50	64	100°	56°	FC-10138 (Rubber)
GH101-ASS	50	64	100°	56°	-