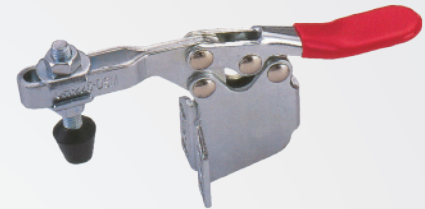
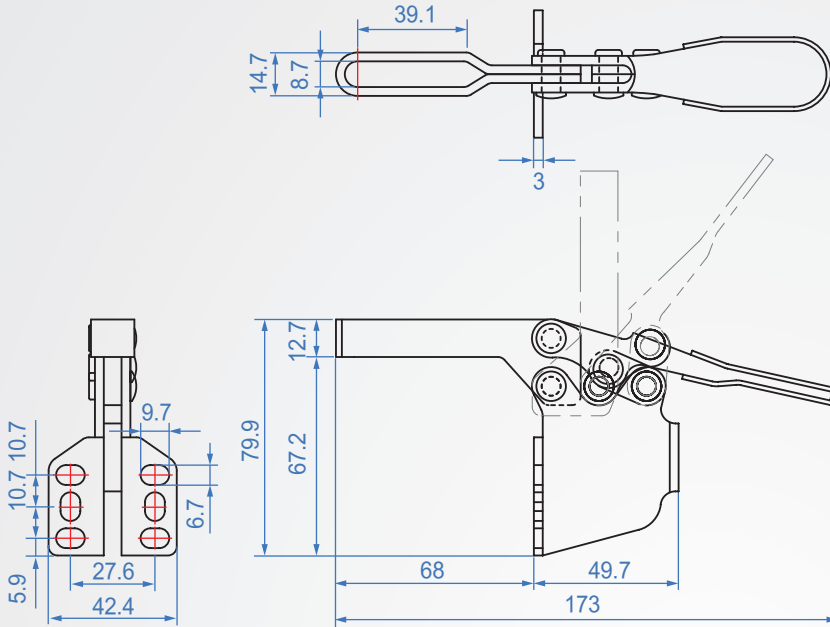


GH225-DSM



GH225-DSM

Material : SS400 Finish : Zinc plated

Unit : mm

Code No.	Clamping force(kg)	weight (g)	Hadle moving	Chuck moving	Front-end accessories
GH225-DSM	227	320	65°	90°	FC-56212