

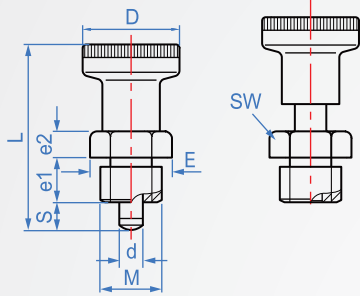
Thread-Short Type IP643



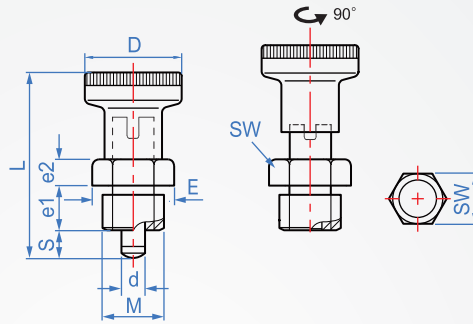
Main part		d Pin		Spring	Affiliated nuts	
Material	Finish	Material	Finish		Material	Finish
Steel	Black oxide	Steel 50~60HRC	Black oxide	SWP-B	Steel	Black oxide
SUS303	—	SUS303	Nickel plating	SUS301	SUS303	—

D Knob : Nylon 6(Mat Black)

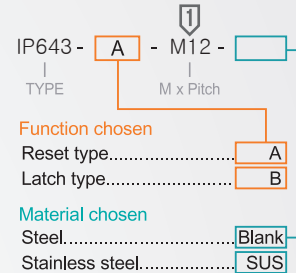
A : Reset type



B : Latch type



How to order



Unit : mm

M	Fine Thread Pitch	d	S	L	D	E	e1	e2	sw	Axial load N	Load(N)	
											Steel	SUS
M12	1.5	6	6	45	25	19.6	10	5	17	400	7~8.5	18~22
M16	1.5	8	8	54	31	21.9	12	6	19	500	14~15.5	24~28

kgf=N×0.102