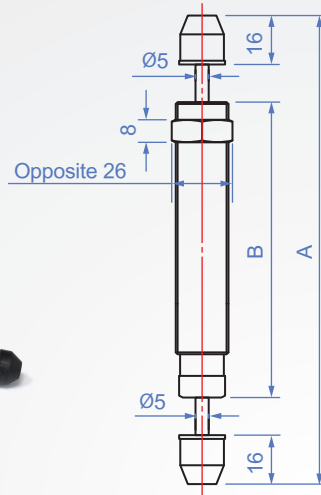


Two-way fixed type  
**AC112**



Ontology	Anti-collision head	Composition structure	Operating temperature
Steel (Dyed black)	PU	Shaft, spring, oil seal, piston, hydraulic oil... etc.	-10~70°C

**How to order**

1    2  
 AC112 - 2030 - A  
 TYPE    No.    Speed

Purpose: It has stable shock absorption and shock absorption functions. When the load is impacted, the resistance will automatically adjust.  
 Features: Provide high, medium and low speeds for designers to choose.

Screw diameter MxPitch	stroke S	No.	Speed m/sec	Load weight kg	Impact velocity m/s	Maxi. absorbed energy(N · m)		A	B
						Each	every minute		
M20 x 1.5	30	2030	A	9~41	3.2	46	920	215	123 (Only 49 teeth long)
			B	23~144	2				
			C	64~575	1.2				
	35	2035	A	9~41	3.2	52	1040	255	153.5
			B	23~144	2				
			C	64~575	1.2				
	50	2050	A	9~41	3.2	62	1054	322	190
			B	23~144	2				
			C	64~575	1.2				

unit:mm