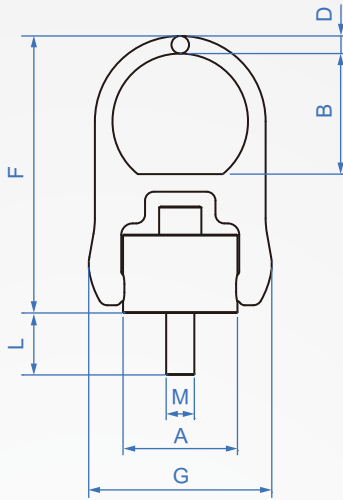


Ring
KF769
Universal rotation



Part	Material
Ring	Forged alloy steel
Bolt	Steel

- The ring is manufactured in accordance with the relevant standards of the European Union EN1677-1.
- Bolts comply with US standard ASME/ANISI B18.3.1M.

How to order



Ultimate load Tons		M		Pitch	L	A	B	D	F	G	Locking torque Nm	weight kg
Safety factor 5:1	Safety factor 4:1											
0.4	0.5	M8	1.25	17							10	0.4
0.45	0.55	M10	1.5	11	40	41	9	102	65		16	0.5
1.05	1.3	M12	1.75	15							38	1.7
1.9	2.4	M16	2	20	65	64	15	158	105		81	1.8
2.15	2.7	M20-A	2.5	25							136	1.9
3	3.75	M20-B		45								4
4.2	5.25	M24	3	25	85	79	19	204	134		312	5.2
7	8.75	M30	3.5	26							637	4.2
11	13.75	M36	4	56								194
12.5	15.6	M42	4.5	76	120	111	30	286		194	1005	6.6
13.5	16.9	M48	5	81						220		16
15.5	19.4	M56	5.5	70							1350	19.1
22.3	27.9	M64	6	79	138	109	34	308		241		2847

※Design safety factor 4:1.

■ Lateral rotation ring load table

Suspension icon										
count	1	2	1	2	2	2	2	3~4	3~4	3~4
Load angle	0°	0°	90°	90°	0° ~ 45°	45° ~ 60°	Asymmetrical on both sides	0° ~ 45°	45° ~ 60°	Asymmetrical on both sides
Thread	Load limit Tons									
M8	0.5	1	0.5	1	0.7	0.5	0.5	1.05	0.75	0.5
M10	0.55	1.1	0.55	1.1	0.77	0.55	0.55	1.16	0.83	0.55
M12	1.3	2.6	1.3	2.6	1.82	1.3	1.3	2.73	1.95	1.3
M16	2.4	4.8	2.4	4.8	3.36	2.4	2.4	5.04	3.6	2.4
M20A	2.7	5.4	2.7	5.4	3.78	2.7	2.7	5.67	4.05	2.7
M20B	3.75	7.5	3.75	7.5	5.25	3.75	3.75	7.88	5.63	3.75
M24	5.25	10.5	5.25	10.5	7.35	5.25	5.25	11.03	7.88	5.25
M30	8.75	17.5	8.75	17.5	12.25	8.75	8.75	18.38	13.13	8.75
M36	13.75	27.5	13.75	27.5	19.25	13.75	13.75	28.88	20.63	13.75
M42	15.6	31.2	15.6	31.2	21.84	15.6	15.6	32.76	23.4	15.6
M48	16.9	33.8	16.9	33.5	23.66	16.9	16.9	35.49	25.35	16.9
M56	19.4	38.8	19.4	38.8	27.16	19.4	19.4	40.74	29.1	19.4
M64	27.9	55.8	27.9	55.8	39.06	27.9	27.9	58.59	41.85	27.9