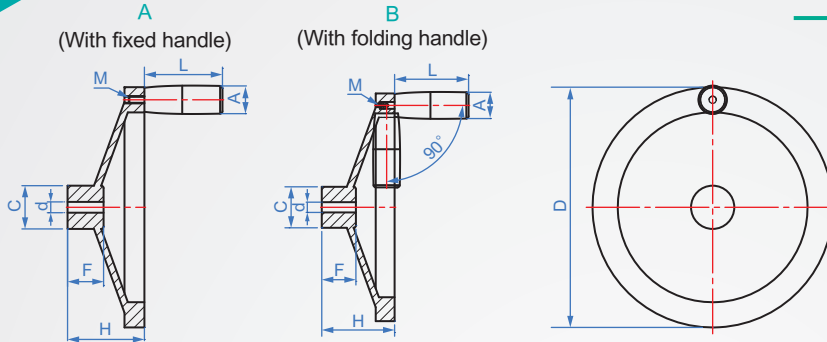


Cast Iron
OA964
Disc shape



No.	Ontology		Handle	
	Material	Finish	Material	Finish
A	Cast iron	Chrome plating	Iron	Chrome plating
B		FC20	Sandblasting	Bakelite



How to order

OA964 - A - 125 - N10 -

TYPE No. D Specified hole

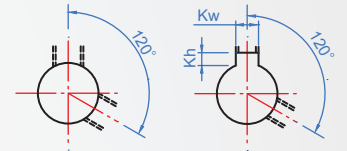
Select surface treatment

Chrome plating..... CR

Sandblasting..... SN

P Round hole + tapping 120° **N** Keyway + tapping 120°

No.	D	d	Hole shape	Aperture	C	F	H	Rotary handle			weight kg
								A	L	M	
A (With fixed handle)	125	7	P	8~17	36	21	46	19	70	5/16"	1.2
	150	8		10~20	43	26	51	23	90	3/8"	1.7
	175	8		10~22	47	30	58				2.4
	200	9		10~22	49	31	64	2.9			
	250	9		10~30	57	31	67	4.5			
B (With folding handle)	125	7	N	8~17	36	20	46	23	65	M6	1.2
	150	8		10~20	44	25	51	26	80		1.7
	175	8		10~22	48	30	58	28	90	M6	2.4
	200	9		10~22	49	30	64				2.9
	250	9		10~30	57	33	68	4.5			



■ Shaft hole P, N size table (New JIS B 1301)

unit : mm			
Shaft aperture	Kw	Kh	Tapping
8~10	3	1.4	M4
11~12	4	1.8	
13~17	5	2.3	M5
18~22	6	2.8	M6
23~30	8	3.3	

Copyright © CHENA INDUSTRIAL CO.,LTD ALL RIGHTS RESERVED.