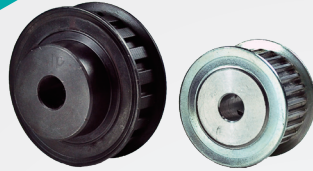
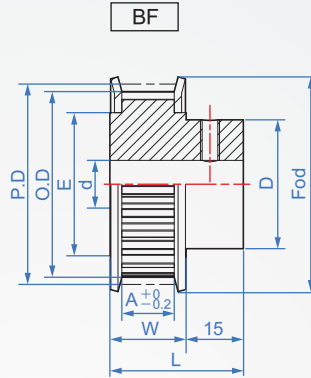
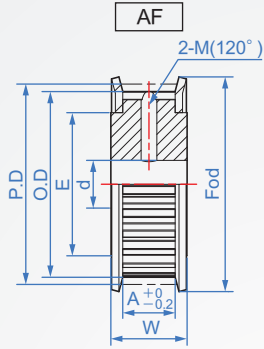
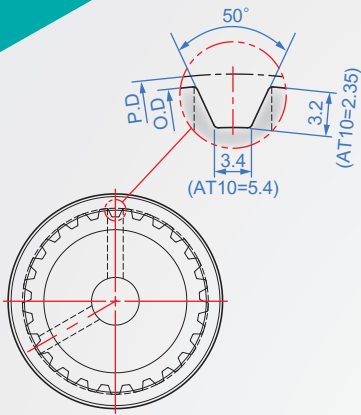


Pitch : 10.0mm

T10



Detailed view A



Belt width	15	20	25	30	40	50
Common size	A=17 W=22 L=37	A=22 W=27 L=42	A=27 W=32 L=47	A=32 W=37 L=52	A=43 W=48 L=63	A=53 W=58 L=73

How to order

1 2 3 4

12 - T10-15 - BF - H8 -

Number of teeth TYPE width Shape Hole shape

Choose surface treatment

- ASClear anode
- ABBlack anode
- ANElectroless nickel
- AKHardened anode

BF shape can specify changes
Example: original D path 25, change 24... D24

Material : Aluminum A6061+ anodized.
Please contact us if you need iron material.

Number of teeth	TYPE width	Shape	Hole shape	Aperture d Processing min.	P.D	O.D	Number of teeth	D	E	Fod								
12	T10-15	AF	H Round hole	8~	38.2	36.35	12	25	28	40								
13					41.38	39.5	13	27	30	45								
14					44.56	42.7	14	32	34	47								
15					47.75	45.9	15	33	38	53								
16					50.93	49.05	16	35	40	55								
17					54.11	52.25	17		44	58								
18					T10-20	AF	Round hole + tapping	12~	57.3	55.45	18	40	43	60				
19									60.48	58.6	19		45	65				
20									63.66	61.8	20	47	52.5	67.5				
21									66.85	65	21		55	75				
22									70.03	68.15	22	50	60	80				
23									73.21	71.35	23		65	83				
24									T10-25	AF	Keyway + Tapping	14~	76.39	74.55	24	60		85
25													79.58	77.7	25	63	70	90
26													82.76	80.9	26			75
27													85.94	84.1	27	63	75	100
28					89.13	87.25	28	70					75	95				
29	92.31	90.45	29	73	80	100												
30	T10-30	BF	Keyway + Tapping	16~	95.49	93.65	30	75					84	104				
31					98.68	96.8	31	80	85	105								
32					101.86	100	32	85	90	110								
33					105.04	103.2	33	87	95	115								
34					108.23	106.4	34			98	118							
35					111.41	109.55	35	87	98	123								
36					114.59	112.75	36		95	102	123							
37					117.77	115.9	37			105	125							
38					T10-40	BF	Keyway + Tapping	16~	120.96	119.1	38	97		128				
39									124.14	122.3	39			110	130			
40	127.32	125.45	40	97						135								
41	130.51	128.65	41							115	140							
42	133.69	131.85	42							120	146							
43	136.87	135	43	97						125								
44	140.06	138.2	44							125	152							
45	143.24	141.4	45								157							
46	146.42	144.55	46							128	160							
47	149.61	147.75	47									165						
48	152.79	150.95	48															
49	155.97	154.1	49															
50	159.15	157.3	50															

Copyright © CHENA INDUSTRIAL CO.,LTD ALL RIGHTS RESERVED.