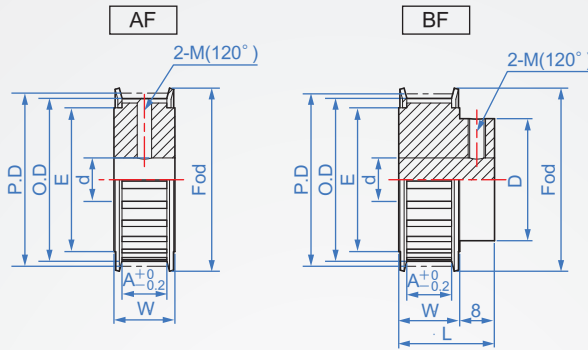
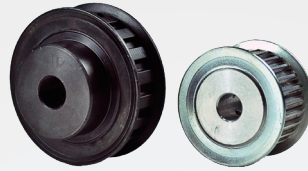
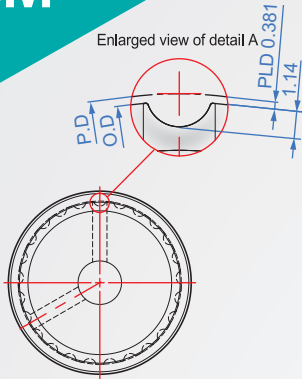


Pitch : 3.0mm
3M



Belt width	6	10	15
Common size	A=7 W=11 L=19	A=11 W=15 L=23	A=17 W=21 L=29

Material: Aluminum A6061+ anodized.
Please contact us if you need iron material.

How to order

22 - 3M-6 - BF - H6 -

Number of teeth TYPE width Shape Hole shape

Choose surface treatment

- AS Clear anode
- AB Black anode
- AN Electroless nickel
- AK Hardened anode

BF shape can specify changes
Example: original D path 12, change 11... D11

Unit : mm																	
Number of teeth	TYPE width	Shape	Hole shape	Shaft hole d Processing mini.	P.D	O.D	Number of teeth	D for ≥16 teeth	E	Fod							
10	3M-6	AF	H Round hole	3~	9.55	8.79	10	-	6.5	13.5							
11					10.50	9.74	11										
12					11.46	10.70	12										
13					12.41	11.65	13										
14					13.37	12.61	14										
15	3M-6	AF	P (120°) Round hole + tapping Refer to the legend below	4~	14.32	13.56	15	9	10.4	18							
16					15.28	14.52	16										
17					16.23	15.47	17										
18					17.19	16.43	18										
19					18.14	17.38	19										
20					19.10	18.34	20										
21					20.05	19.29	21										
22					3M-6	AF	H Round hole 				5~	21.01	20.25	22	10	13.5	20
23												21.96	21.20	23			
24												22.92	22.16	24			
25	23.87	23.11	25														
26	24.83	24.07	26														
27	25.78	25.02	27														
28	26.74	25.98	28														
29	27.69	26.93	29														
30	28.65	27.89	30														
31	29.60	28.84	31														
32	3M-10	AF	Round hole + tapping P (120°) PV (90°) 	6~	30.56	29.80	32	11	14.5	22.6							
33					31.51	30.75	33										
34					32.47	31.71	34										
35					33.42	32.66	35										
36					34.38	33.62	36										
37					35.33	34.57	37										
38					36.29	35.52	38										
39					37.24	36.48	39										
40					38.20	37.44	40										
41					39.15	38.39	41										
42	3M-15	BF	Keyway + Tapping N (120°) NV (90°) 	8~	40.11	39.35	42	12	15	25							
43					41.06	40.3	43										
44					42.02	41.25	44										
45					42.97	42.21	45										
46					43.93	43.16	46										
47					44.88	44.12	47										
48					45.84	45.07	48										
49					46.79	46.03	49										
50					47.75	46.98	50										
60					57.30	56.53	60										
70	66.85	66.08	70														
72	68.75	67.99	72														
80	76.39	75.63	80														
90	85.94	85.18	90														
100	95.49	94.73	100														

Axis aperture	Tapping
3-4	M2
5-6	M3
6-17	M4
18-38	M5

Shaft bore	kw(Js9)	kh	Tapping
8-10	3	1.4	M4
NK10	4	1.8	
11-12	4		
13-17	5	2.3	M5
18-22	6	2.8	
23-30	8	3.3	

Copyright © CHENA INDUSTRIAL CO.,LTD ALL Rights Reserved.