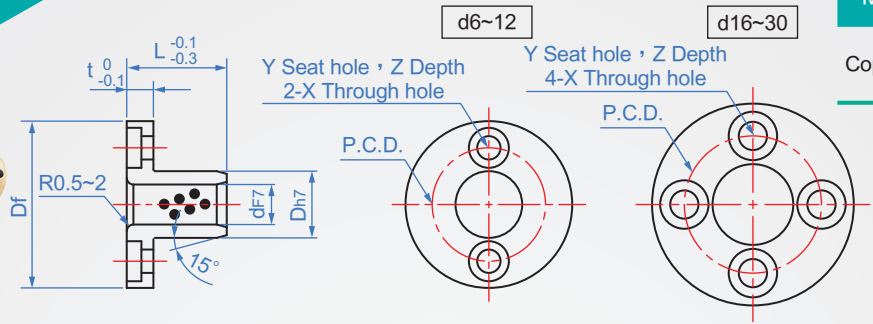


Round flange OL253 No oil supply



Material	Heat resistant temperature
Copper alloy	-50~200°C

How to order

1
2
3

OL253 - 8 - 12 - 20

TYPE d D L

unit : mm																	
d	F7	D	h7	L						Df	P.C.D.	t	X	Y	Z	Bow for the screw	
6	+0.022 +0.010	10	0 -0.015	15	20	25				25	17						
8	+0.028 +0.013	12		15	20	25	30			27	19	4	3.5	6	2.2	M3-10	
10		14	0 -0.018	15	20	25	30			29	21						
12	+0.034 +0.016	18		15	20	25	30	35		36	26	5	4.5	7.5	3	M4-12	
16		22	0 -0.021	15	20	25	30	35	40	40	30						
20		28				25	30	35	40	50	60	6	5.5	9	3.7	M5-16	
25	+0.041 +0.020	33					30	35	40	50	60						
30		38	0 -0.025					35	40	50	60	70	8	6.6	11	4.2	M6-20
35	+0.05 +0.025	44							50	60	70						
40		50							60	70	80	10	9	14	5.2	M8-25	