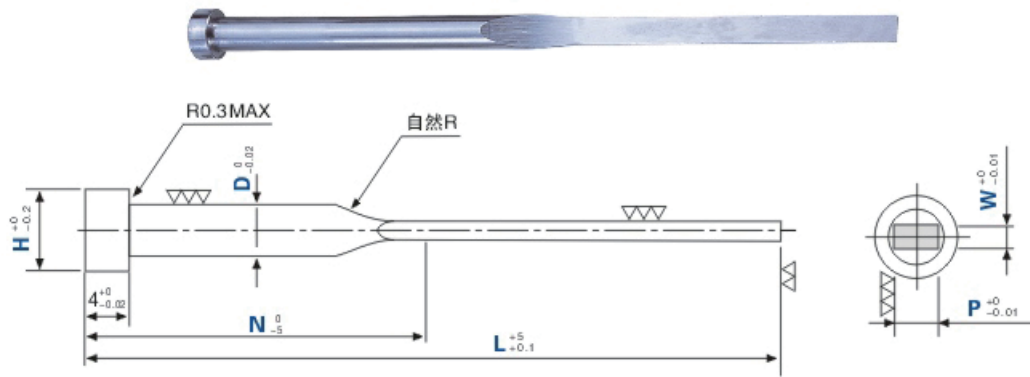


SKH51
+0
-0.01

方型扁銷 (N部指定)
Rectangular Ejector Pin (N Can Choose)



106E



型號 Type:106E

單位: mm

版權所有重製必究

P	W	D	H	L=100	L=150	L=200	L=250	P	W	D	H	L=100	L=150	L=200	L=250	
				N 以下表示								N 以下表示				
0.8	0.3	1.5	3					1.0	1.0	2.0	4	40	50	70		
1.0				40	50	70										
1.2				40	50	70										
1.0	0.4	2.0	4	40	50			2.5		1.0	3.0	6	40	50	70	
1.2				40	50	70										
1.5				40	50	70										
2.0				40	50	70										
2.5				40	50	70										
3.0				40	50	70										
3.5				40	50	70										
1.0	0.5	2.0	4	40	50			4.0	1.0		4.0	7	40	50	70	
1.2				40	50	70										
1.5				40	50	70										
2.0				40	50	70										
2.5				40	50	70										
3.0				40	50	70										
3.5				40	50	70										
1.0	0.6	2.0	4	40	50			5.0		1.0	5.5	10	40	50	70	
1.2				40	50	70										
1.5				40	50	70										
2.0				40	50	70										
2.5				40	50	70										
3.0				40	50	70										
3.5				40	50	70										
1.0	0.7	2.0	4	40	50			6.0	1.0		6.5	11	40	50	70	
1.2				40	50	70										
1.5				40	50	70										
2.0				40	50	70										
2.5				40	50	70										
3.0				40	50	70										
3.5				40	50	70										
1.0	0.8	2.0	4	40	50	70		7.0		1.0	7.5	13	40	50	70	
1.2				40	50	70										
1.5				40	50	70										
2.0				40	50	70										
2.5				40	50	70										
3.0				40	50	70										
3.5				40	50	70										
1.0	0.9	2.0	4	40	50	70		8.0	1.0		8.0	13	40	50	70	
1.2				40	50	70										
1.5				40	50	70										
2.0				40	50	70										
2.5				40	50	70										
3.0				40	50	70										
3.5				40	50	70										
1.0	1.0	2.0	4	40	50	70		9.0		1.0	9.0	15	40	50	70	
1.2				40	50	70										
1.5				40	50	70										
2.0				40	50	70										
2.5				40	50	70										
3.0				40	50	70										
3.5				40	50	70										
1.0	1.1	2.0	4	40	50	70		10.0	1.0		10.0	15	40	50	70	
1.2				40	50	70										
1.5				40	50	70										
2.0				40	50	70										
2.5				40	50	70										
3.0				40	50	70										
3.5				40	50	70										
1.0	1.2	2.0	4	40	50	70		11.0		1.0	11.0	15	40	50	70	
1.2				40	50	70										
1.5				40	50	70										
2.0				40	50	70										
2.5				40	50	70										
3.0				40	50	70										
3.5				40	50	70										
1.0	1.5	2.0	4	40	50	70		12.0	1.0		12.0	15	40	50	70	
1.2				40	50	70										
1.5				40	50	70										
2.0				40	50	70										
2.5				40	50	70										
3.0				40	50	70										
3.5				40	50	70										
1.0	2.0	2.0	4	40	50	70		13.0		1.0	13.0	15	40	50	70	
1.2				40	50	70										
1.5				40	50	70										
2.0				40	50	70										
2.5				40	50	70										
3.0				40	50	70										
3.5				40	50	70										

訂購範例
Order

Type - P - W - D - H - L - N
106E - P1.2 - W0.6 - D2.0 - H4 - L100 - N40

■ 非標準規格，請以圖面聯繫訂製
Please contact us if you have other special request or specifications

交 期
Delivery

5 天出貨