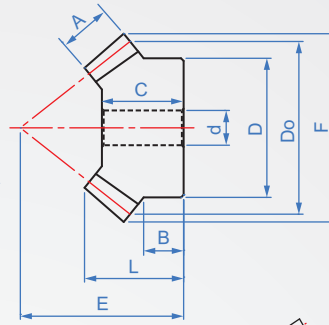
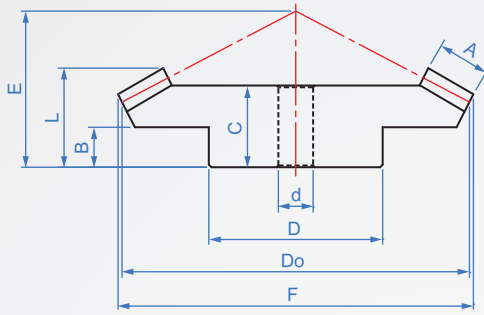


壓力角20°
BG322
齒數比 1:2



齒輪比 1:2

材質 表面處理

S45C

染黑

無電解鍍

How to order

1 2 3
BG322 - M1 - 20 - N8 - TB
模數 齒數 孔形 軸徑

選擇表面處理

S45C..... T

S45C+染黑..... TB

S45C+無電解鍍..... TN

可指定D徑變更

例：原D徑16，變更14

單位：mm

| 模數 | 齒數 | 孔形 | 最小孔徑 d | 齒輪比 | 齒寬 A | 輪數長 B | 孔長 C | 輪數 D | 節圓 Do | 齒數 | 距離 E | 外徑 F | 總長 L | | |
|------|-----|------|--------|------|------|-------|------|-------|--------|--------|--------|--------|-------|-------|----|
| M1 | 15 | | 6~ | 1530 | 6 | 11 | 17 | 12.5 | 15 | 15 | 27.35 | 16.79 | 18 | | |
| | 30 | | 8~ | | | 11.5 | 15 | 28 | 30 | 30 | 21.24 | 30.89 | 17 | | |
| | 18 | | 6~ | 1836 | | 9 | 15 | 15.5 | 18 | 18 | 28.32 | 19.79 | 16 | | |
| | 36 | | 8~ | | | 8 | 12 | 33 | 36 | 36 | 19.69 | 36.89 | 14 | | |
| | 20 | | 6~ | 2040 | | 9 | 15 | 16 | 20 | 20 | 30.31 | 21.79 | 16 | | |
| 40 | 8~ | | 14 | | | 35 | 40 | 40 | 22.66 | 40.89 | | | | | |
| M1.5 | 15 | | | 8~ | | 1530 | 10 | 11 | 20.5 | 18 | 22.5 | 15 | 35.15 | 25.18 | 22 |
| | 30 | | | 10~ | | 12 | | 19 | 36 | 45 | 30 | 27.97 | 46.34 | | |
| | 18 | | | 8~ | | 1836 | 11 | 22.5 | 23 | 27 | 18 | 39.86 | 29.68 | 24 | |
| | 36 | | | 10~ | | | 13 | 21 | 40 | 54 | 36 | 31.33 | 55.34 | | |
| | 20 | 10~ | | 2040 | 14 | 25 | 25 | 30 | 20 | 45.84 | 32.68 | 27 | | | |
| 40 | 12~ | 22 | | | 40 | 60 | 40 | 33.77 | 61.34 | | | | | | |
| M2 | 15 | | | 10~ | 1530 | 12 | 12 | 23 | 25 | 30 | 15 | 43.69 | 33.58 | 25 | |
| | 30 | | | 12~ | 21.5 | | 48 | 60 | 30 | 33.48 | 61.79 | | | | |
| | 18 | | | 12~ | 1836 | 18 | 32 | 30 | 36 | 18 | 56.02 | 39.58 | 34 | | |
| | 36 | | | 13 | | 25 | 60 | 72 | 36 | 38.17 | 73.79 | 28 | | | |
| | 20 | | 15~ | 2040 | 18 | 32 | 35 | 40 | 20 | 59.99 | 43.58 | 34 | | | |
| 40 | 12~ | | 26 | | 62 | 80 | 40 | 42.1 | 81.79 | 30 | | | | | |
| M2.5 | 15 | | | 12~ | 1530 | 14 | 14 | 28 | 31 | 37.5 | 15 | 54.36 | 41.97 | 31 | |
| | 30 | | | 15~ | 25 | | 55 | 75 | 30 | 40.61 | 77.24 | 30 | | | |
| | 18 | | | 12~ | 1836 | 17 | 33 | 38.5 | 37.5 | 18 | 64.18 | 49.47 | 36 | | |
| | 36 | | | 16~ | | 16 | 27 | 75 | 75 | 36 | 45.01 | 92.24 | | 32 | |
| | 20 | 12~ | | 2040 | 23 | 41 | 40 | 45 | 20 | 76.27 | 54.47 | 44 | | | |
| 40 | 15~ | 16.5 | | | 28 | 90 | 90 | 40 | 48.03 | 102.24 | 33 | | | | |
| M3 | 15 | | | 12~ | 1530 | 18 | 15 | 32 | 37 | 45 | 15 | 63.04 | 50.37 | 35 | |
| | 30 | | | 15~ | 30 | | 65 | 90 | 30 | 47.73 | 92.68 | | | | |
| | 18 | | | 16~ | 1838 | 22 | 45 | 46 | 54 | 18 | 78.85 | 59.37 | 48 | | |
| | 38 | | | 20~ | | 18 | 35 | 70 | 114 | 38 | 54.25 | 110.68 | | 40 | |
| | 20 | | 16~ | 2040 | 26 | 47 | 50 | 80 | 20 | 89.42 | 65.37 | 50 | | | |
| 40 | 20~ | | 17 | | 35 | 80 | 160 | 40 | 58.36 | 122.68 | 40 | | | | |
| M4 | 15 | | | 16~ | 1530 | 25 | 23 | 46 | 50 | 60 | 15 | 86.52 | 67.16 | 50 | |
| | 30 | | | 22 | 42 | | 80 | 120 | 30 | 64.58 | 123.58 | 48 | | | |
| | 18 | | | 16~ | 1836 | 25 | 51 | 62 | 72 | 18 | 100.79 | 79.16 | 55 | | |
| | 36 | | | 20~ | | 22 | 41 | 95 | 144 | 36 | 68.14 | 147.58 | | 48 | |
| | 20 | 20~ | | 2040 | 23 | 51 | 62 | 100 | 20 | 108.73 | 87.16 | 55 | | | |
| 40 | 24 | 45 | | | 95 | 200 | 40 | 80.02 | 163.58 | | | | | | |
| M5 | 15 | | | 16~ | 1530 | 25 | 32 | 60 | 62 | 75 | 15 | 111.73 | 83.94 | 65 | |
| | 30 | | | 22 | 45 | | 120 | 150 | 30 | 75.21 | 154.47 | 54 | | | |
| | 18 | | | 16~ | 1836 | 36 | 65 | 77 | 90 | 18 | 130.6 | 98.94 | 69 | | |
| | 36 | | | 22 | | 46 | 100 | 180 | 36 | 84.44 | 184.47 | 56 | | | |
| | 20 | | 20~ | 2040 | 34 | 64 | 80 | 100 | 20 | 104.53 | 108.94 | 69 | | | |
| 40 | 23 | | 47 | | 100 | 200 | 40 | 90.31 | 204.47 | 57 | | | | | |

※請注意：不可單件購買，因與其他公司組合角可能造成齒無法咬合，故必需成套訂購。