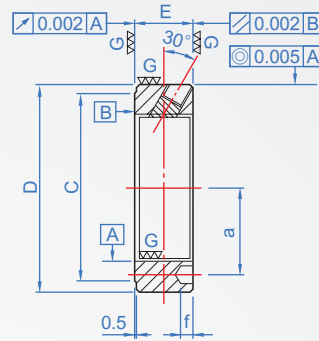
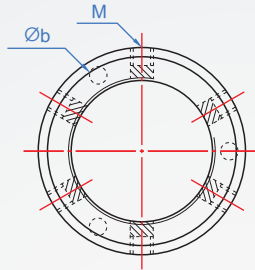


精密固鎖螺帽

**SBL-A**

精密平衡用



How to order

① ②  
SBL-A - M20 - 1.5  
TYPE 螺紋 Pitch

單位: mm

| 螺紋   | Pitch | D  | C  | E     | a  | Ø b | f | M      | 鎖緊力矩<br>max. Nm | 鬆脫力矩<br>Nm |
|------|-------|----|----|-------|----|-----|---|--------|-----------------|------------|
| M20  | 1     | 38 | 33 | 16    | 13 | 4.3 | 5 | M5x0.8 | 4.5             | 28.9       |
| M20  | 1.5   |    |    | 18    | 16 |     |   | 28.9   |                 |            |
| M25  | 1.5   | 18 | 19 | 30.4  |    |     |   |        |                 |            |
| M30  | 1.5   | 18 | 22 | 32.4  |    |     |   |        |                 |            |
| M35  | 1.5   | 20 | 25 | 39.2  |    |     |   |        |                 |            |
| M40  | 1.5   | 20 | 28 | 46.1  |    |     |   |        |                 |            |
| M45  | 1.5   | 20 | 30 | 61.8  |    |     |   |        |                 |            |
| M50  | 1.5   | 22 | 33 | 70.6  |    |     |   |        |                 |            |
| M55  | 2     | 22 | 35 | 88.2  |    |     |   |        |                 |            |
| M60  | 2     | 22 | 38 | 98    |    |     |   |        |                 |            |
| M65  | 2     | 24 | 41 | 127.5 |    |     |   |        |                 |            |
| M70  | 2     | 24 | 43 | 147.1 |    |     |   |        |                 |            |
| M75  | 2     | 24 | 46 | 152   |    |     |   |        |                 |            |
| M80  | 2     | 24 | 49 | 156.9 |    |     |   |        |                 |            |
| M85  | 2     | 26 | 53 | 176.5 |    |     |   |        |                 |            |
| M90  | 2     | 26 | 55 | 186.3 |    |     |   |        |                 |            |
| M95  | 2     | 26 | 58 | 201   |    |     |   |        |                 |            |
| M100 | 2     | 28 | 61 | 220.6 |    |     |   |        |                 |            |
| M105 | 2     | 28 | 64 | 236.3 |    |     |   |        |                 |            |
| M110 | 2     | 28 | 66 | 252   |    |     |   |        |                 |            |
| M115 | 2     | 30 | 69 | 268.1 |    |     |   |        |                 |            |
| M120 | 2     | 30 | 71 | 279.4 |    |     |   |        |                 |            |
| M125 | 2     | 30 | 74 | 289.2 |    |     |   |        |                 |            |
| M130 | 2     | 32 | 78 | 313.7 |    |     |   |        |                 |            |
| M135 | 2     | 32 | 80 | 352.9 |    |     |   |        |                 |            |
| M140 | 2     | 32 | 84 | 392.2 |    |     |   |        |                 |            |
| M145 | 2     | 32 | 86 | 436.3 |    |     |   |        |                 |            |
| M150 | 2     | 32 | 86 | 480.4 |    |     |   |        |                 |            |

※鎖定方式為螺紋半角30° 六點式鎖定，比三點式鎖定更優異，能使六個固定銅平均完全契合於公螺紋上，使防鬆效果更完美。  
 ※螺帽本身內螺紋、端面、背面、外圓都經過精密研磨加工，降低其在高速選轉下所可能產生的平衡問題和風切的噪音問題。  
 ※資料不及備載，其餘尺寸請洽伽納各窗口。