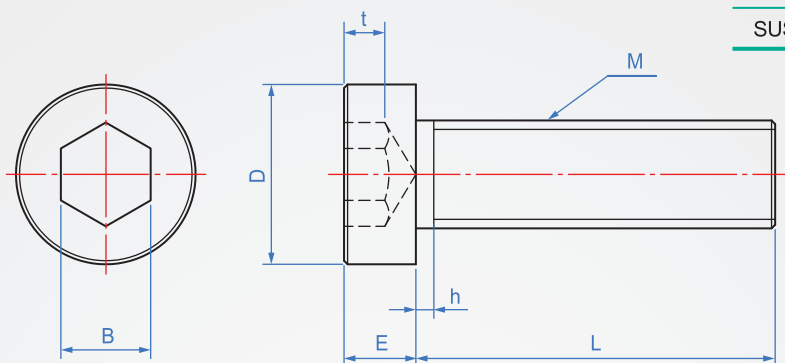


低頭內六角螺絲
WA730



材質	表面處理	強度區分
S45C HRC22~32	染黑	8.8
SUS304	-	A2-50

How to order

WA730 - M3 - 5 -

TYPE 螺紋 長度

選擇材質

S45C.....

SUS304..... **SUS**

1		2										單位 :mm					
M	Pitch 粗牙	L										D	E	B	t max.	h max.	
M2.5	0.45	5	6	8	10							4.5	1.6	1.5	1.3	1	
M3	0.5	5	6	8	10	12	16					5.5	2	2	1.5	1.5	
M4	0.7		6	8	10	12	16	20				7	2.8	2.5	2.3	2.1	
M5	0.8		6	8	10	12	16	20	25			8.5	3.5	3	2.7	2.4	
M6	1.0			8	10	12	16	20	25			10	4	4	3	3	
M8	1.25				10	12	16	20	25	30		13	5	5	3.8	3.75	
M10	1.5						16	20	25	30	35	16	6	7	4.5	4.5	
M12	1.75							20	25	30	35	40	18	7	8	5.25	5.25

※強度區分是指螺牙的拉伸強度。

The term-strength rank-signifies the screw's tensile strength of the male screw parts.

8.8

8→代表降伏點或耐力的最小值為拉伸強度的80%。

Indicates that the yield point or the minimum proof strength is 80% of the tensile strength.

8→代表拉伸強度最小值為800N/m² {81.6kgf/m²}。

It indicates that the minimum value of nominal tensile strength 800N/m² {81.6kgf/m²}。

A2-50 / A2-70

50→代表拉伸強度的最小值為500N/m² {51kgf/m²}

It indicates that the minimum value of nominal tensile strength is 500N/m² {51kgf/m²}。

70→代表拉伸強度的最小值為700N/m² {71kgf/m²}

It indicates that the minimum value of nominal tensile strength is 700N/m² {71kgf/m²}。

A2→鋼種區分為A2(沃斯田鐵系不銹鋼)

The steel class is A2(Austenitic stainless steel)

※薄型化、小型化、省空間化

因應沉頭空間變小所開發設計的精小商品

This delicately exquisite product is designed to be thinner,smaller and more space-saving