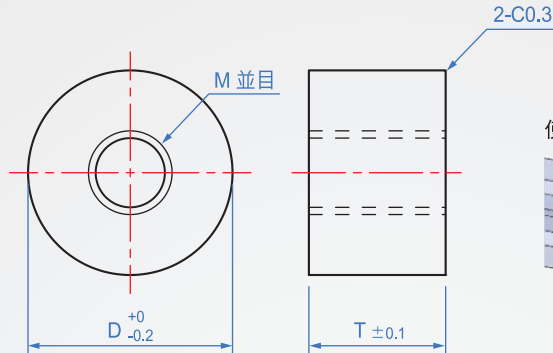
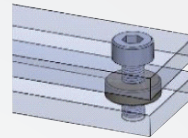


內螺紋墊圈

WA793



使用例



材質

表面處理

S45C

無電解鍍

SUS304

-

How to order

1 WA793 - 2 M2 - 3 10 - T3 -

TYPE 孔徑 外徑 厚度

選擇材質
 S45C+無電解鍍.....
 SUS304.....

版權所有 製必究

1 M 螺紋指定										2 D	3 T 厚度選擇					
M2	M3	M4	M5	M6	M8	M10	M12	M16	M20		T3	T5	T8	T10	T15	T20
●	●	●	●	●	●					10	●	●	●	●		
		●	●	●	●					12		●	●	●	●	
			●	●	●	●				16		●	●	●	●	
				●	●	●	●			20			●	●	●	●
					●	●	●	●		30				●	●	●
						●	●	●	●	40				●	●	●
								●	●	50					●	●
									●	60					●	●